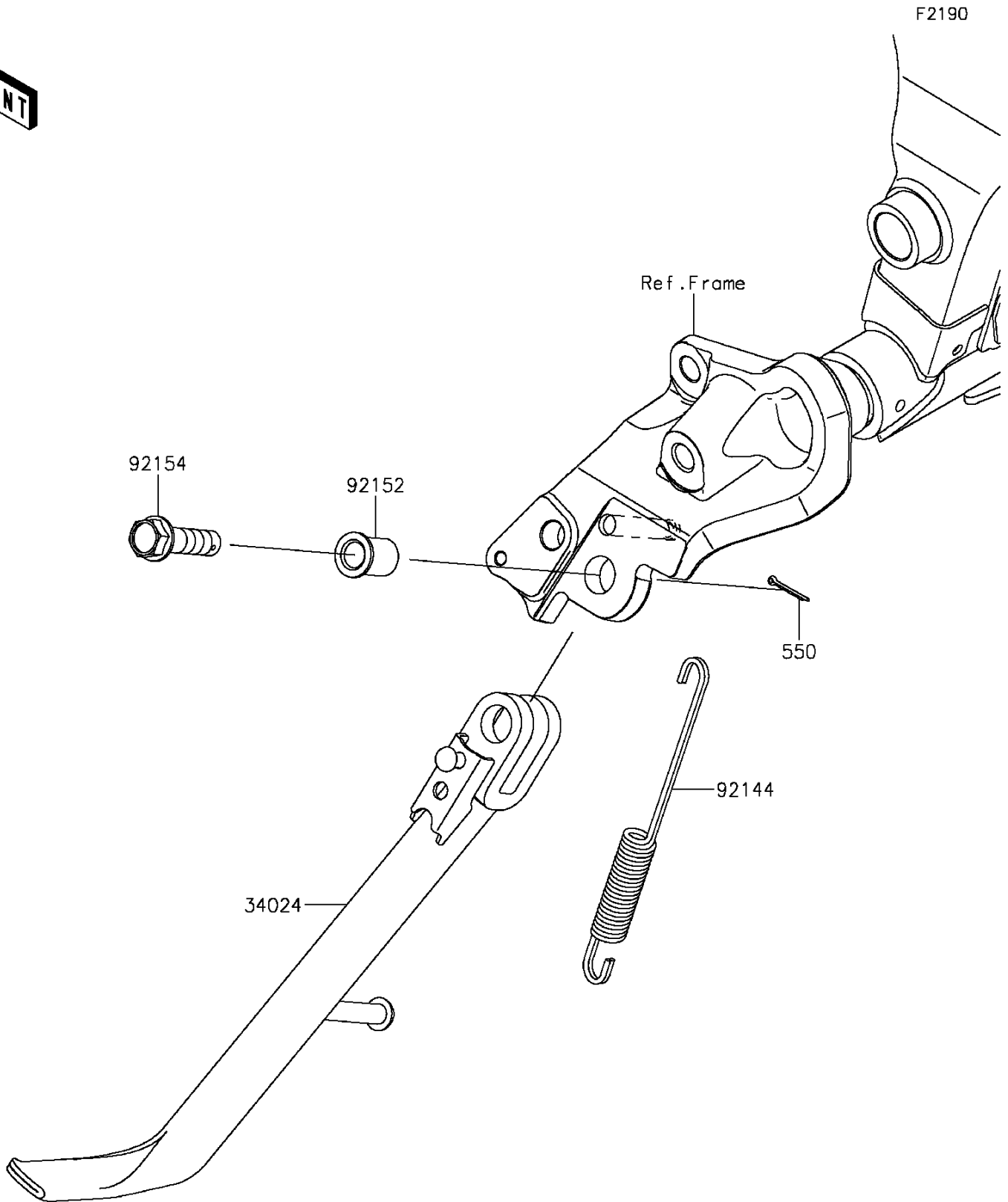


2015 VULCAN[®] S ABS PARTS DIAGRAM

Stand(s)



2015 VULCAN® S ABS PARTS LIST

Stand(s)

ITEM NAME	PART NUMBER	QUANTITY
-----------	-------------	----------