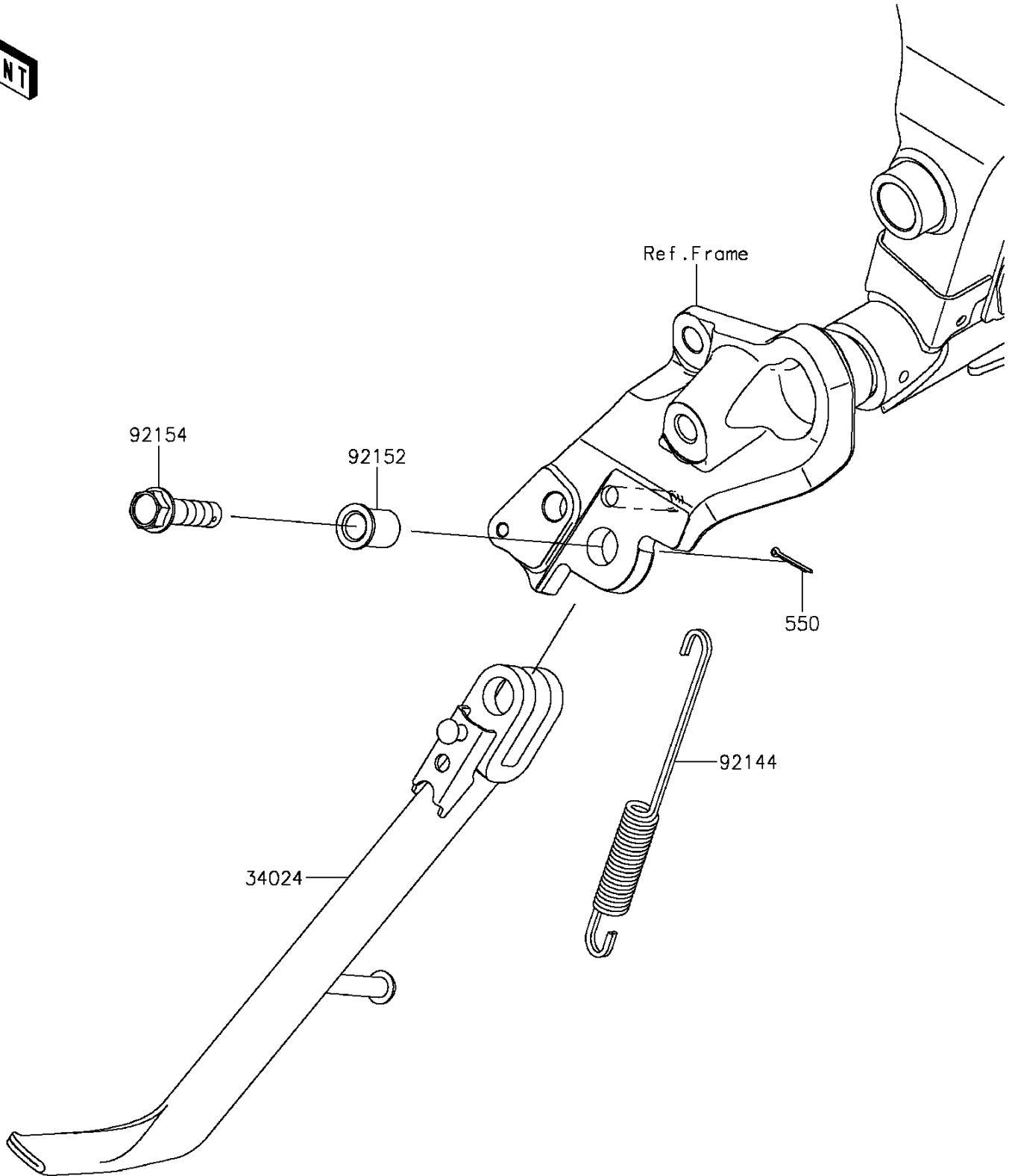


2016 VULCAN[®] S ABS CAFÉ PARTS DIAGRAM

Stand(s)



F2190



2016 VULCAN® S ABS CAFÉ PARTS LIST

Stand(s)

ITEM NAME	PART NUMBER	QUANTITY
-----------	-------------	----------