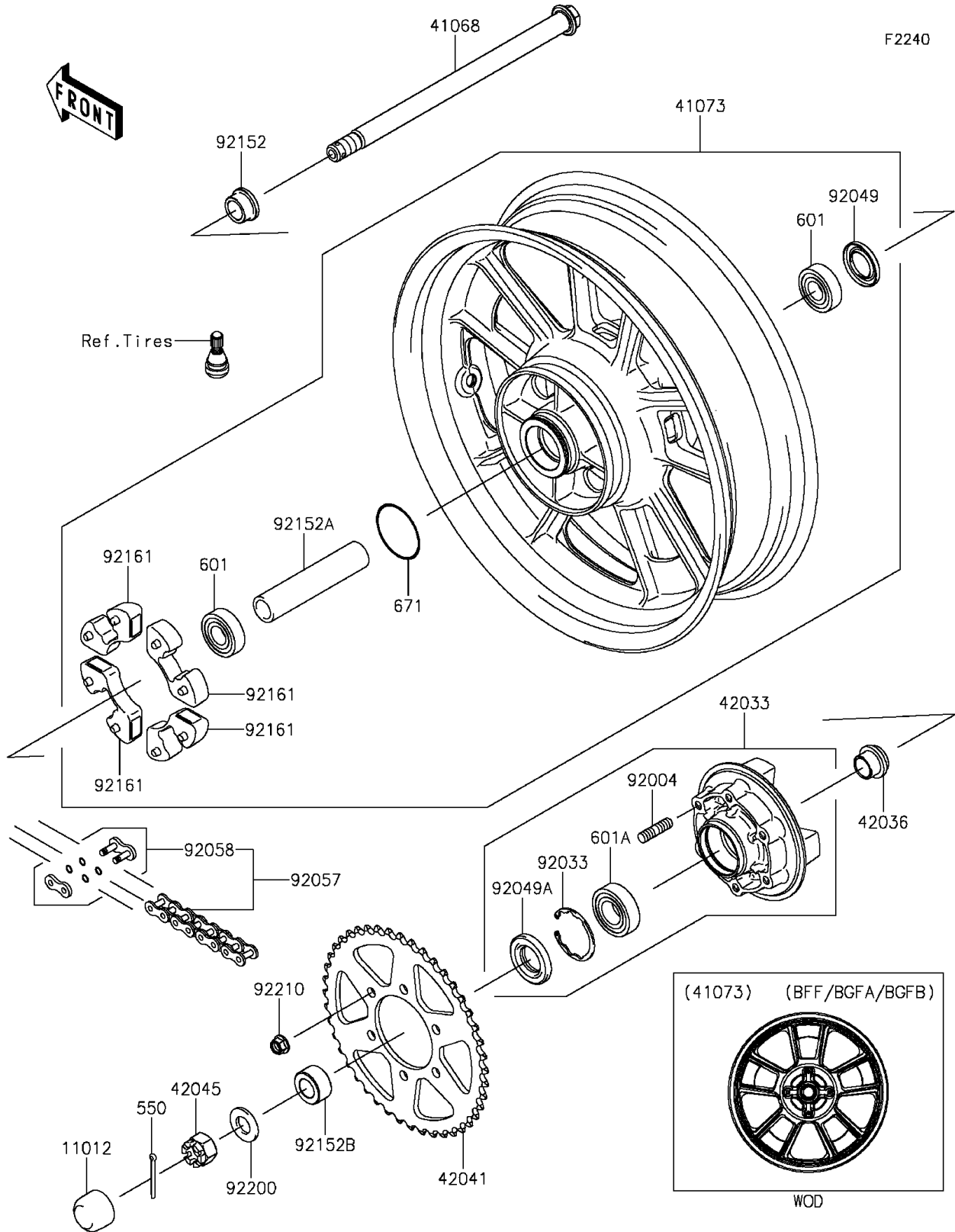


2015 VULCAN® S ABS PARTS DIAGRAM

Rear Wheel/Chain



2015 VULCAN® S ABS PARTS LIST

Rear Wheel/Chain

ITEM NAME	PART NUMBER	QUANTITY
-----------	-------------	----------