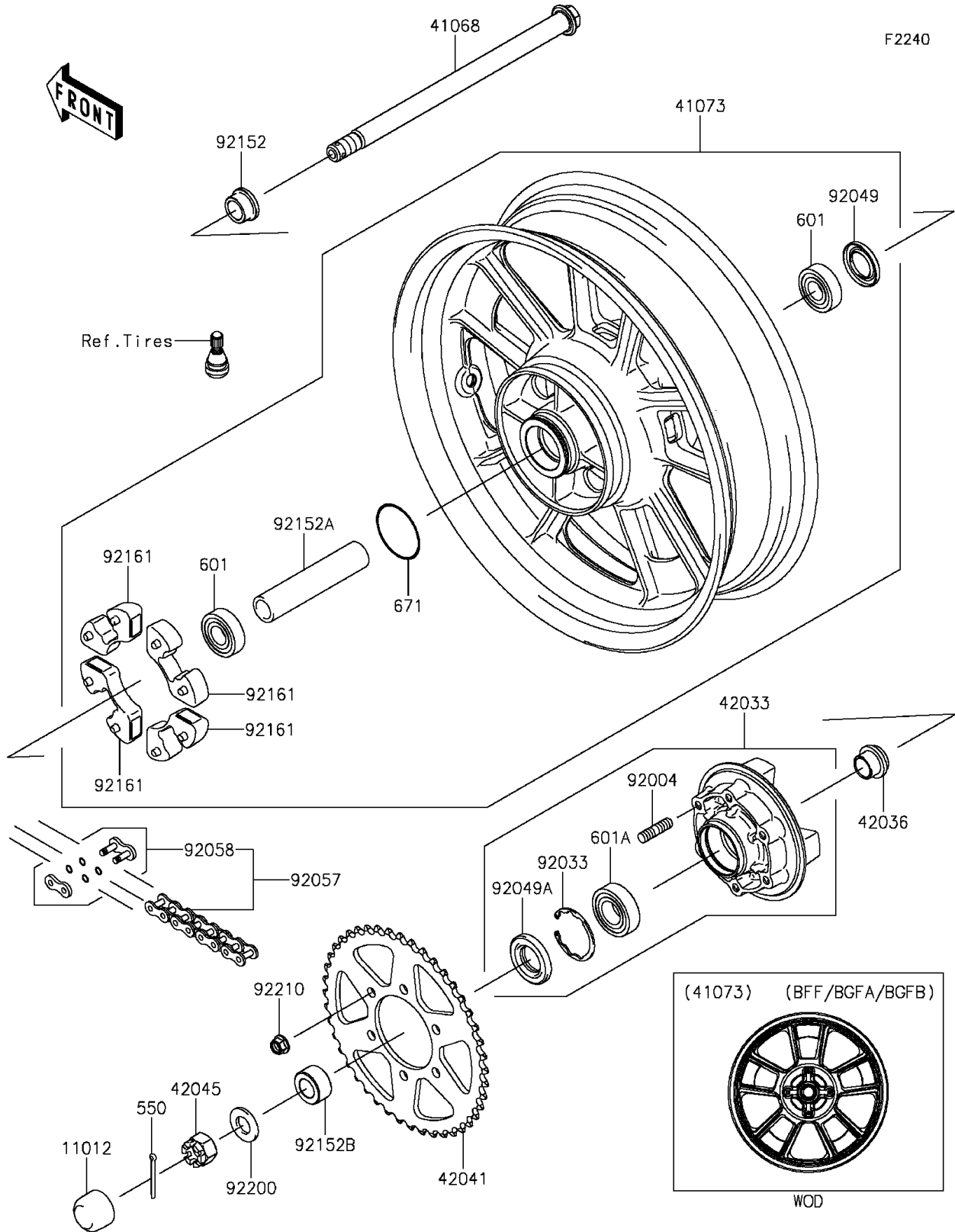


# 2016 VULCAN® S ABS SE PARTS DIAGRAM

Rear Wheel/Chain



# 2016 VULCAN® S ABS SE PARTS LIST

Rear Wheel/Chain

ITEM NAME	PART NUMBER	QUANTITY
-----------	-------------	----------