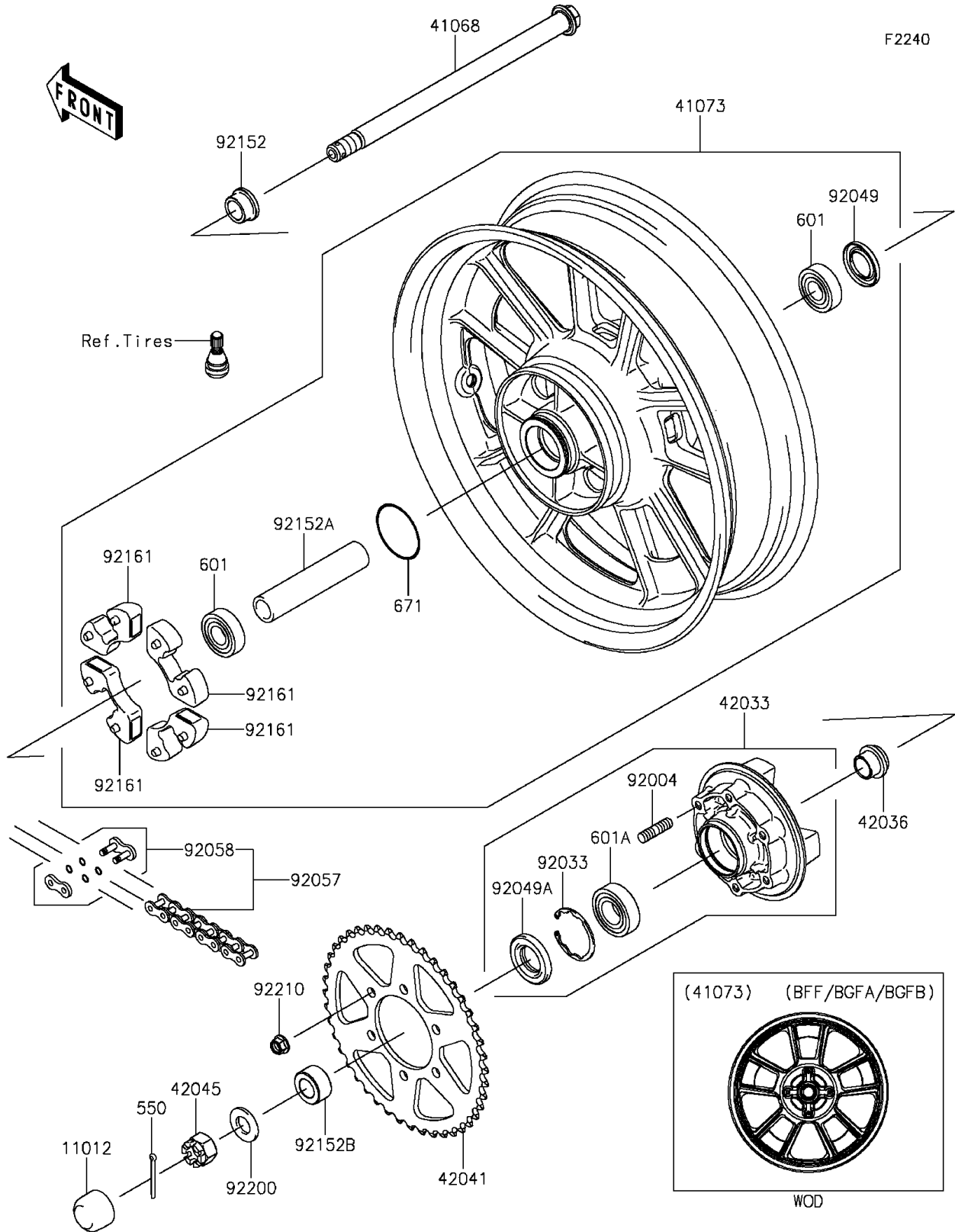


2016 VULCAN® S ABS CAFÉ PARTS DIAGRAM

Rear Wheel/Chain



2016 VULCAN® S ABS CAFÉ PARTS LIST

Rear Wheel/Chain

ITEM NAME	PART NUMBER	QUANTITY
-----------	-------------	----------