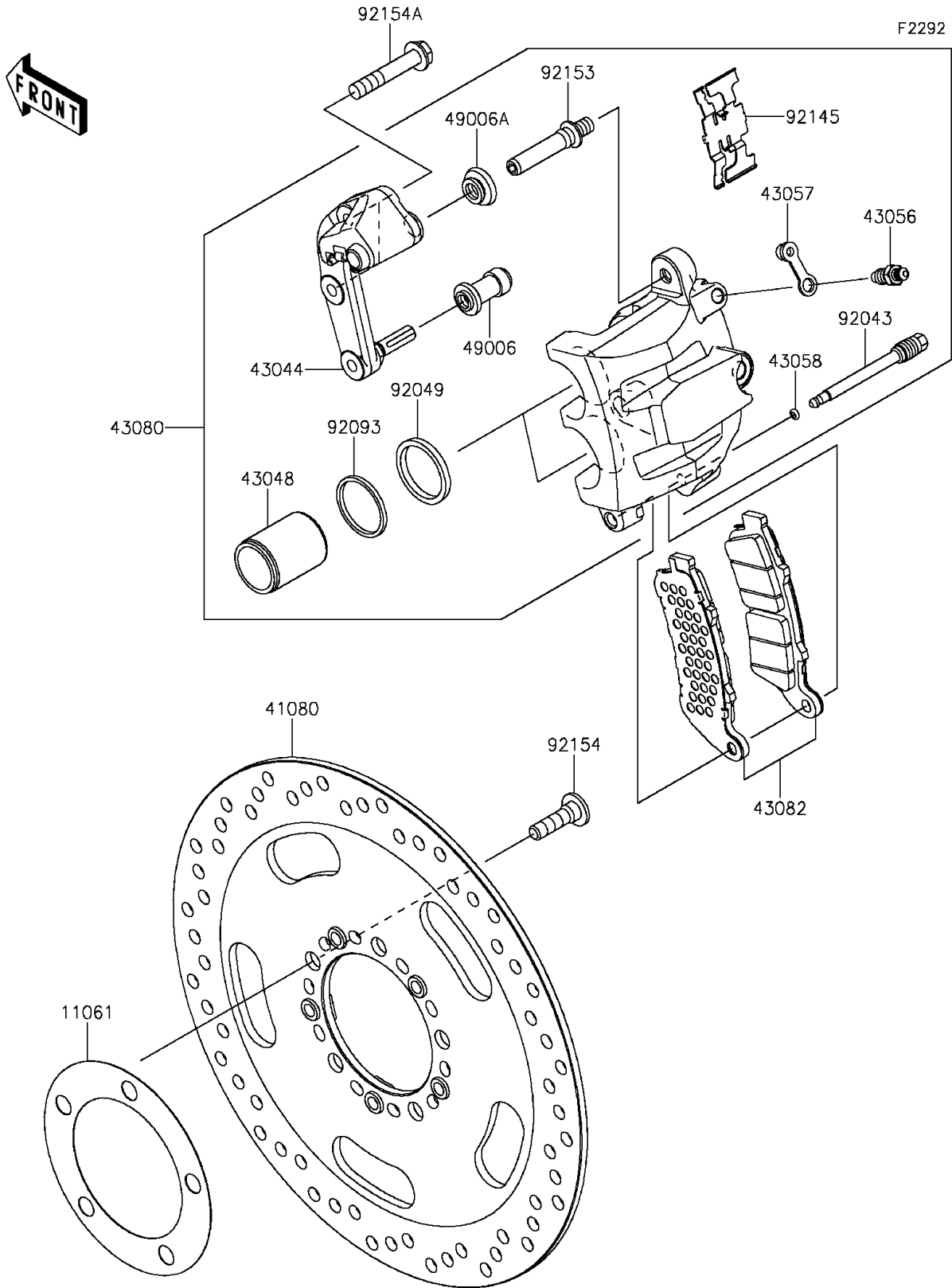


2016 VULCAN® S ABS SE PARTS DIAGRAM

Front Brake



2016 VULCAN® S ABS SE PARTS LIST

Front Brake

ITEM NAME	PART NUMBER	QUANTITY
-----------	-------------	----------