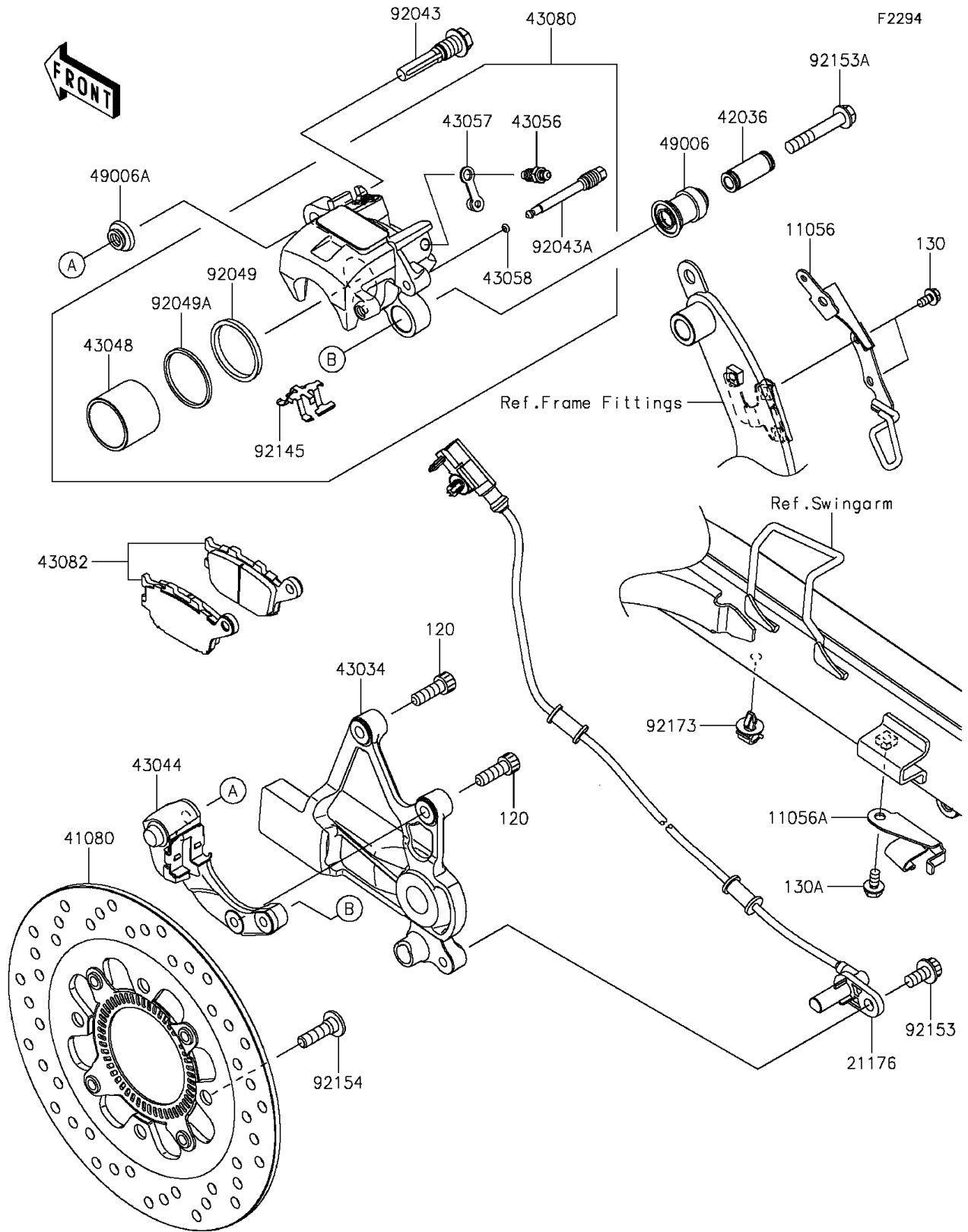


# 2016 VULCAN® S ABS PARTS DIAGRAM

Rear Brake



# 2016 VULCAN® S ABS PARTS LIST

Rear Brake

ITEM NAME	PART NUMBER	QUANTITY
-----------	-------------	----------