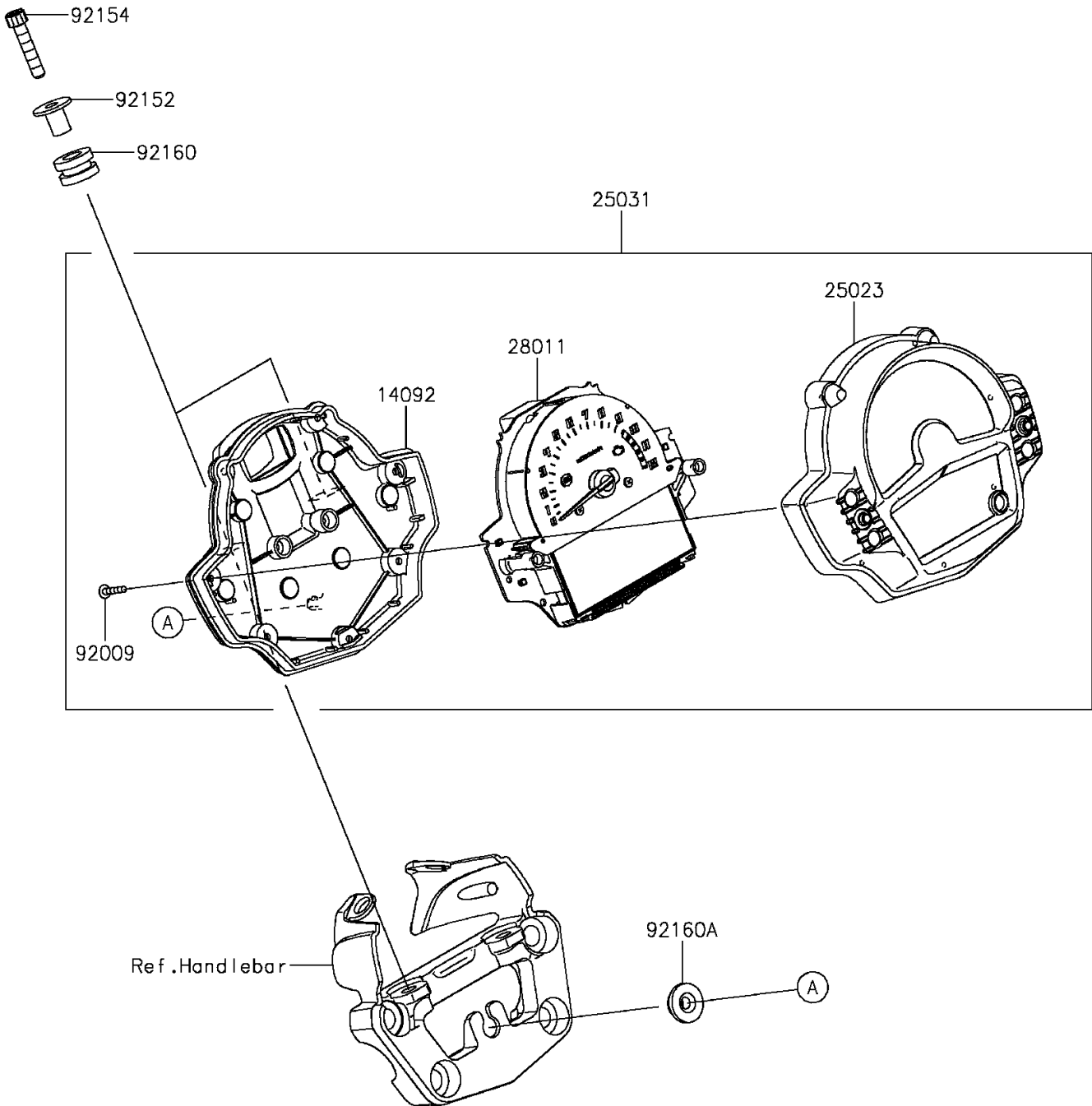


2015 VULCAN® S ABS PARTS DIAGRAM

Meter(s)

F2530



2015 VULCAN® S ABS PARTS LIST

Meter(s)

ITEM NAME	PART NUMBER	QUANTITY
-----------	-------------	----------