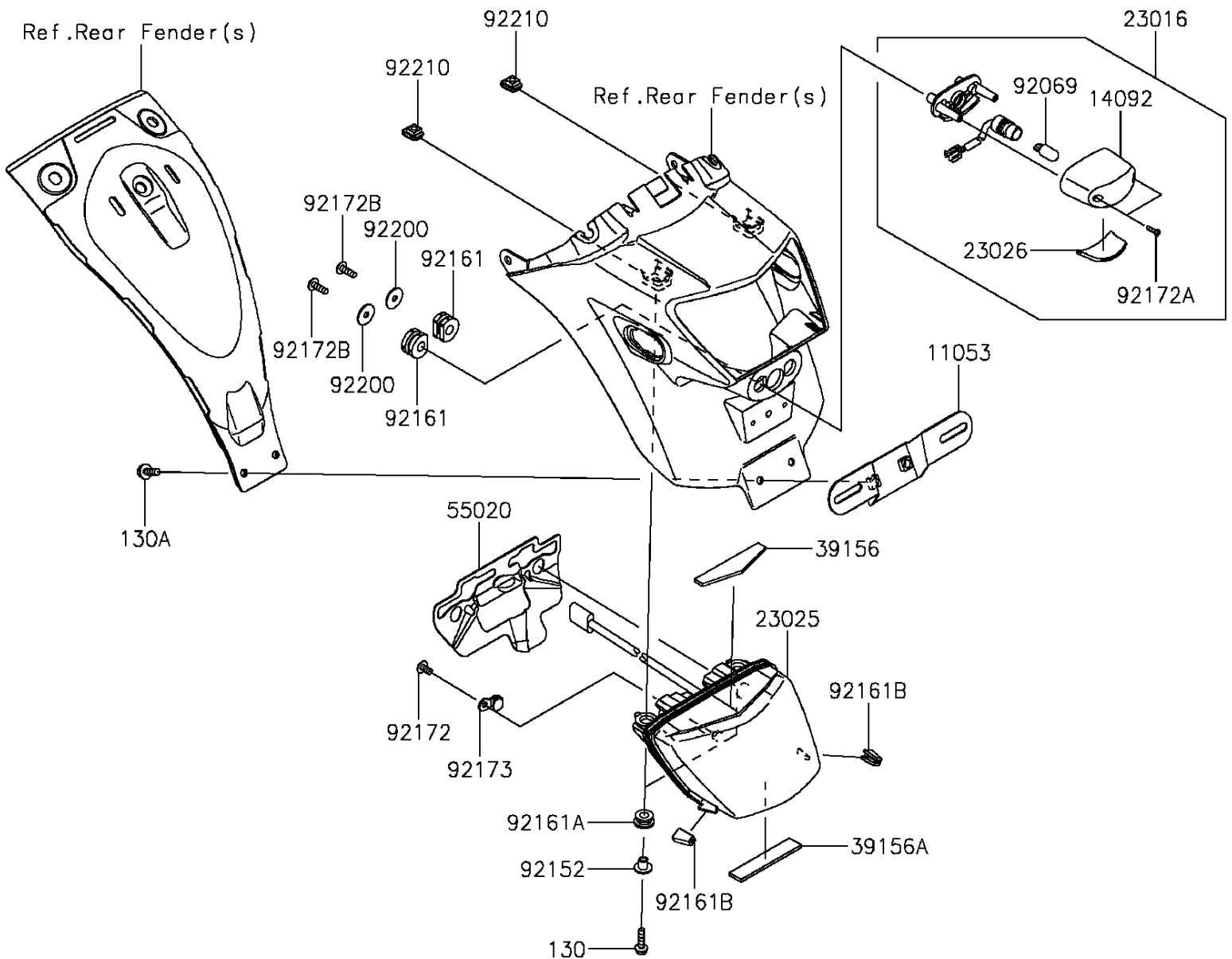


# 2015 VULCAN® S ABS PARTS DIAGRAM

Taillight(s)

F2720



## 2015 VULCAN® S ABS PARTS LIST

Taillight(s)

ITEM NAME	PART NUMBER	QUANTITY
-----------	-------------	----------