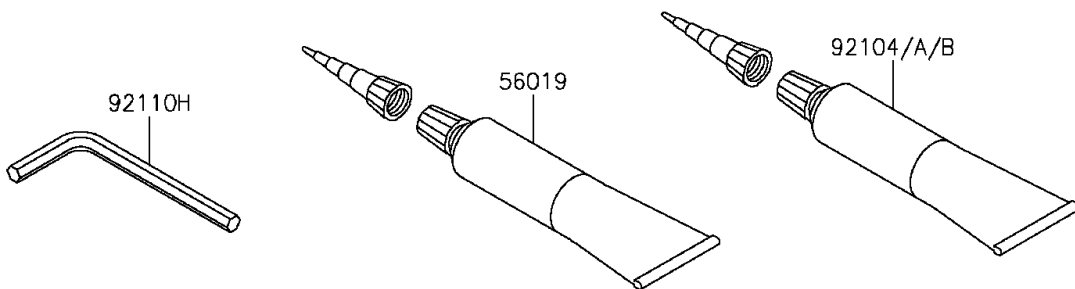
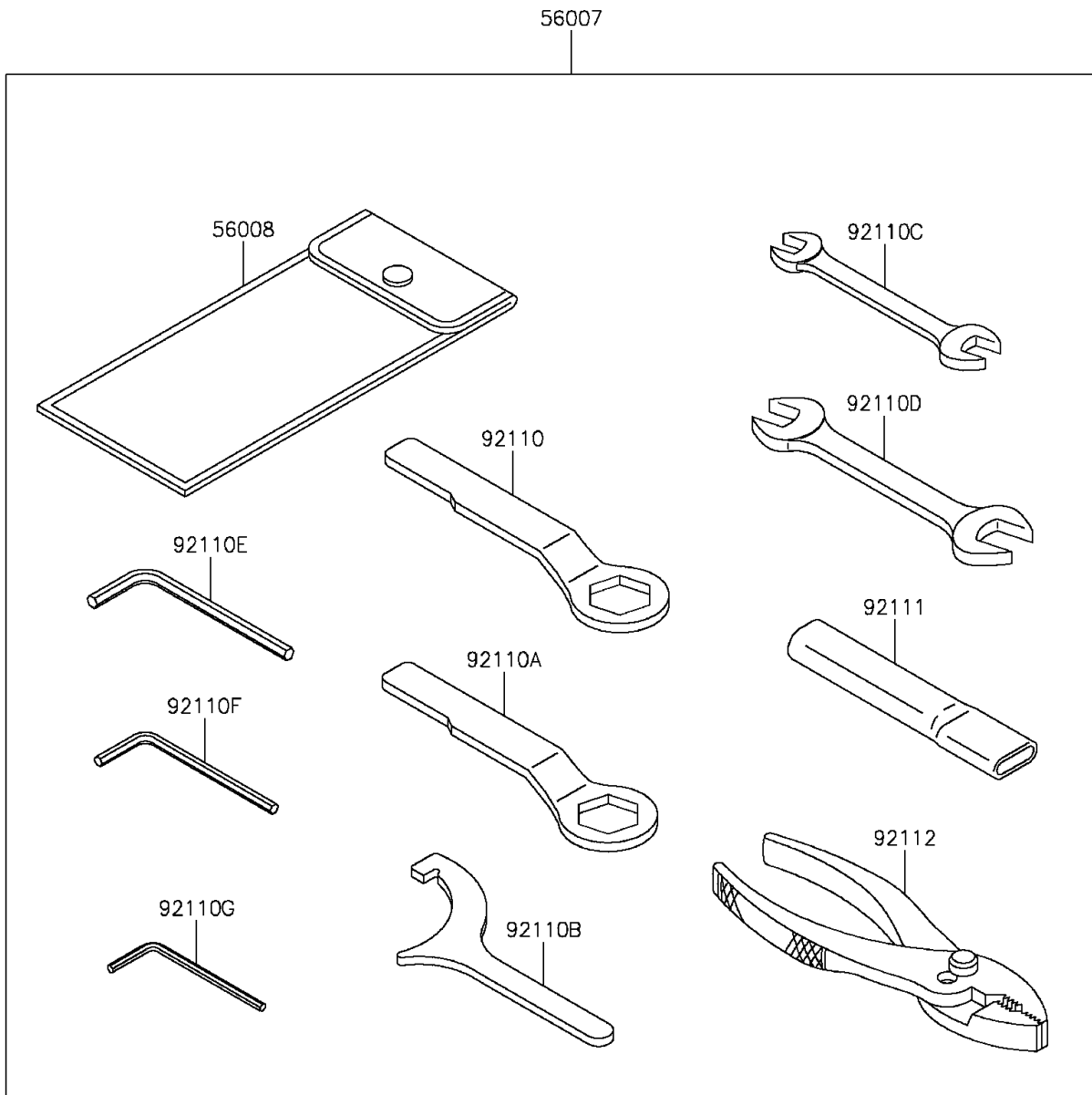


2015 VULCAN® S ABS PARTS DIAGRAM

Owner's Tools

F2810



2015 VULCAN® S ABS PARTS LIST

Owner's Tools

ITEM NAME	PART NUMBER	QUANTITY
-----------	-------------	----------