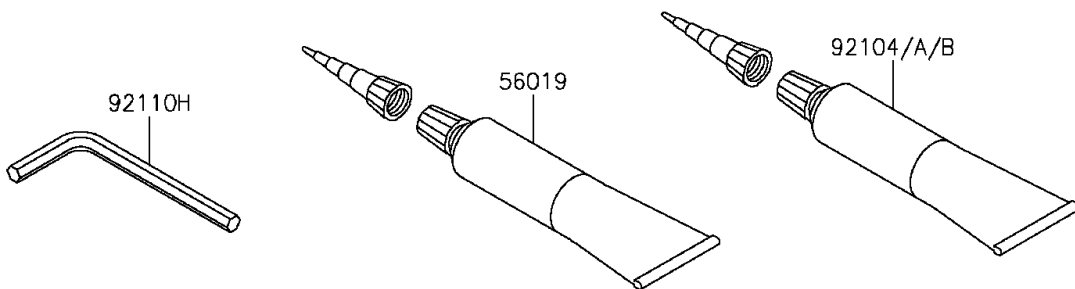
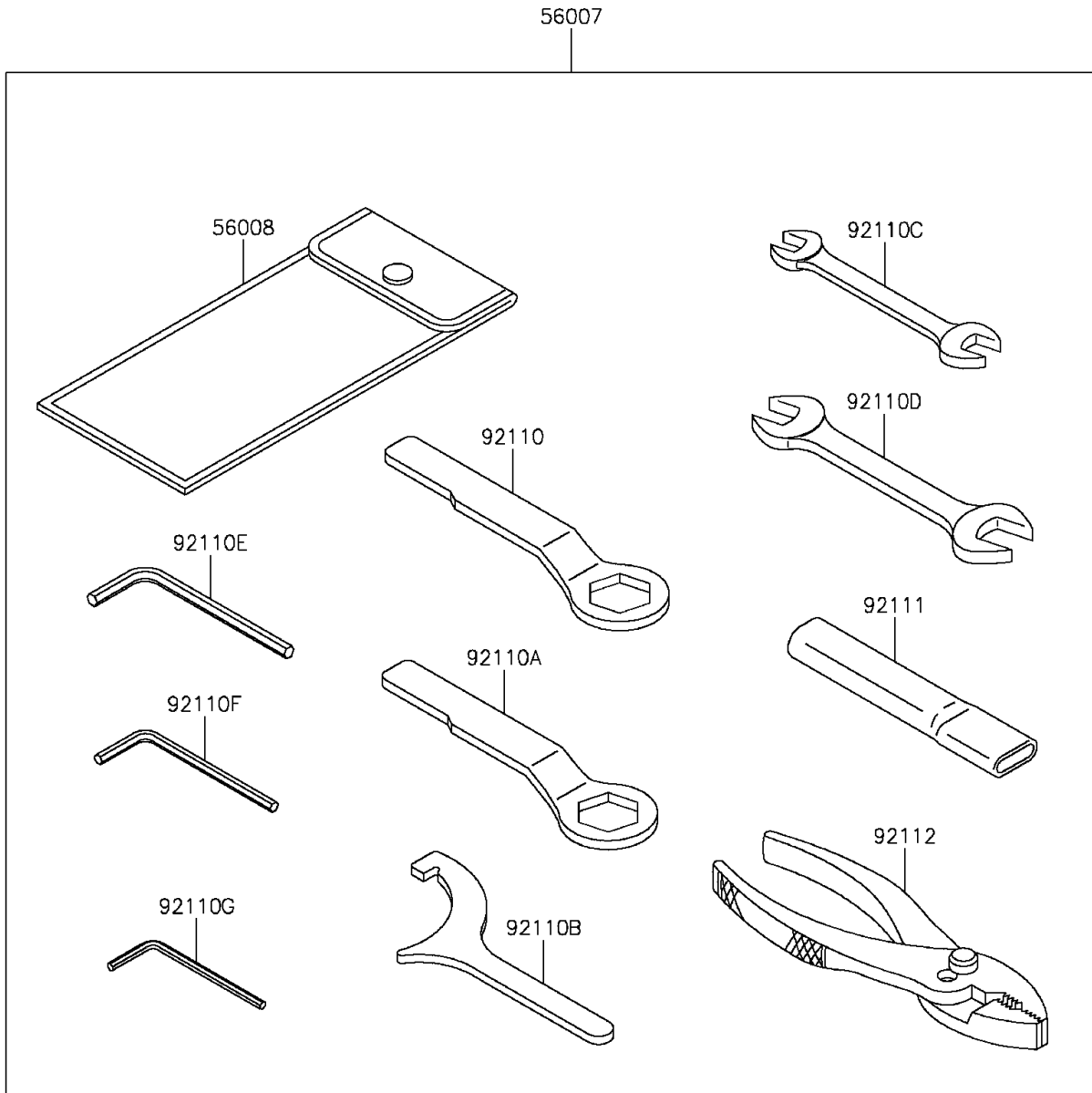


2016 VULCAN[®] S ABS SE PARTS DIAGRAM

Owner's Tools

F2810



2016 VULCAN® S ABS SE PARTS LIST

Owner's Tools

ITEM NAME	PART NUMBER	QUANTITY
-----------	-------------	----------