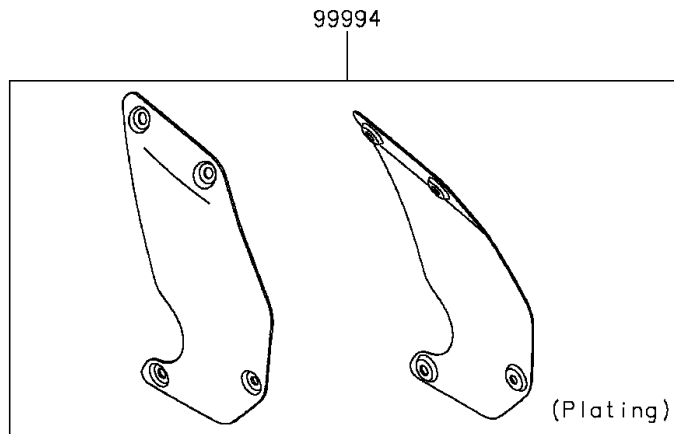
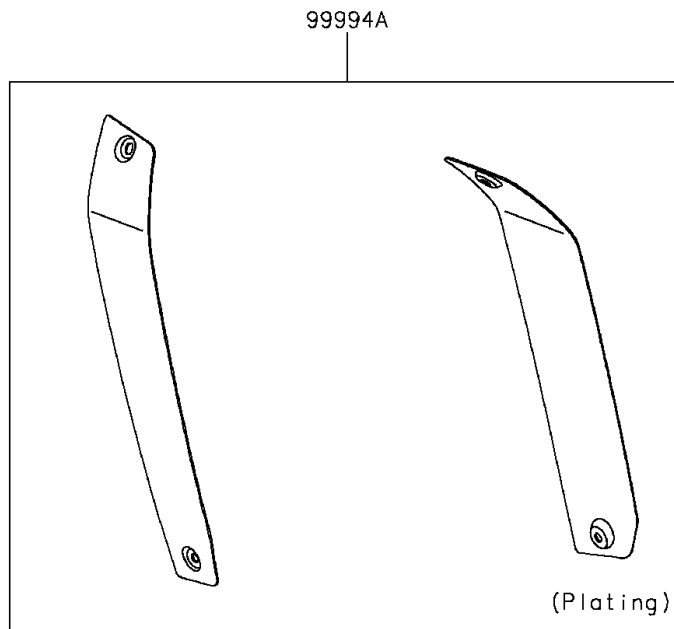
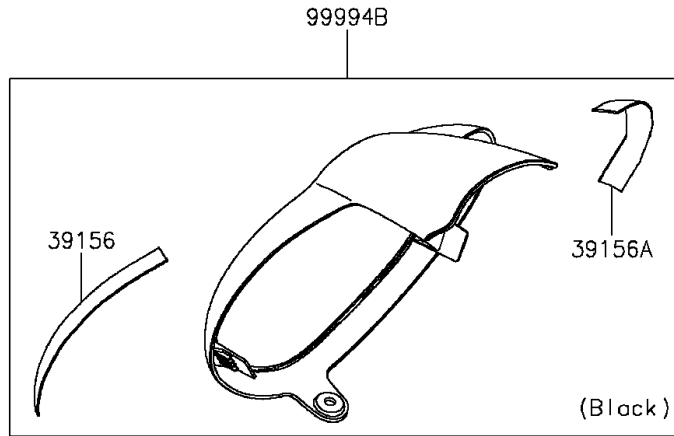


2015 VULCAN® S ABS PARTS DIAGRAM

Accessory(Outer Cover)

F2910H



2015 VULCAN® S ABS PARTS LIST

Accessory(Outer Cover)

ITEM NAME	PART NUMBER	QUANTITY
-----------	-------------	----------