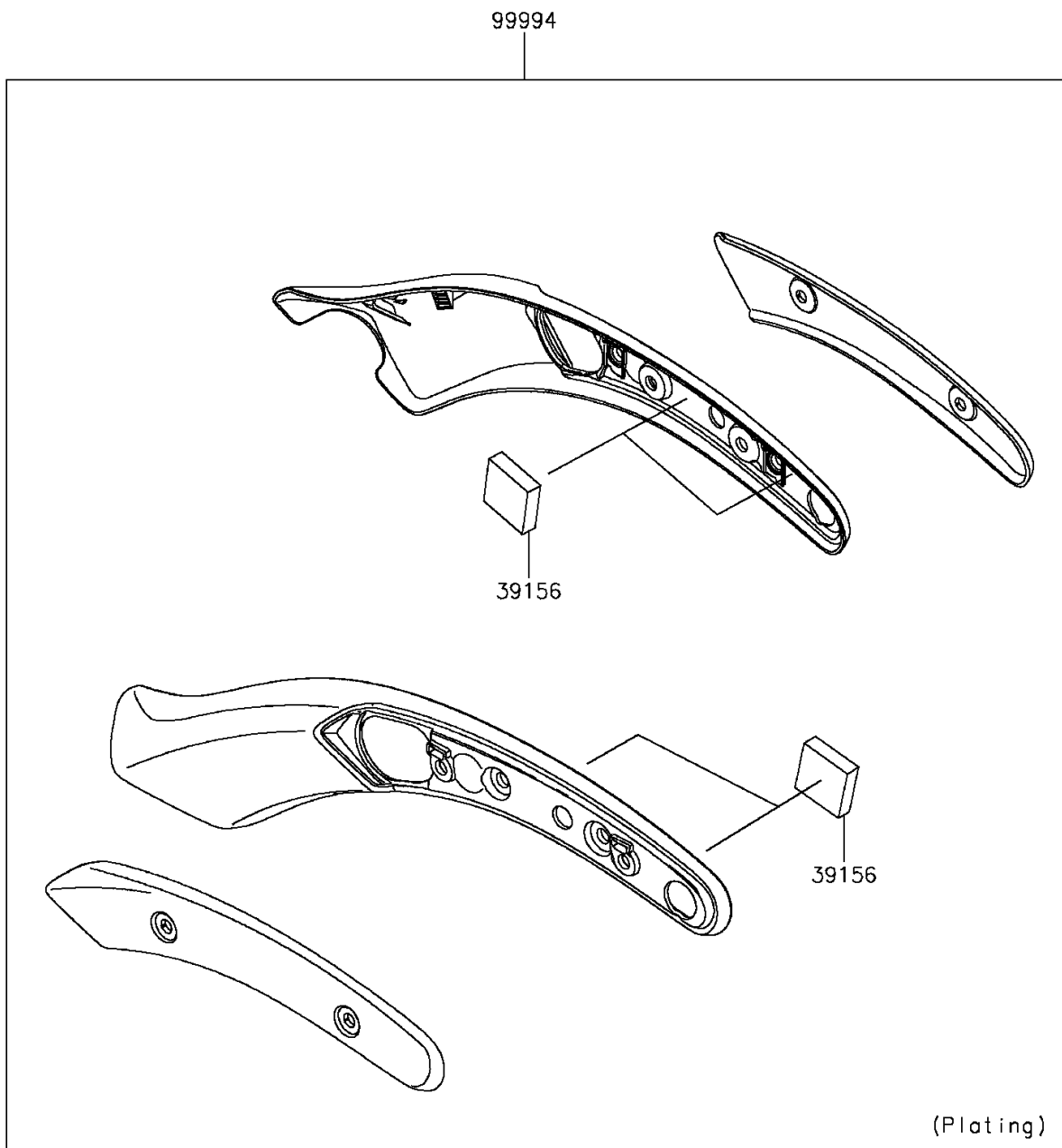


# 2016 VULCAN<sup>®</sup> S ABS CAFÉ PARTS DIAGRAM

Accessory(Fender Strut Cover)

F2910J



# 2016 VULCAN® S ABS CAFÉ PARTS LIST

Accessory(Fender Strut Cover)

ITEM NAME	PART NUMBER	QUANTITY
-----------	-------------	----------