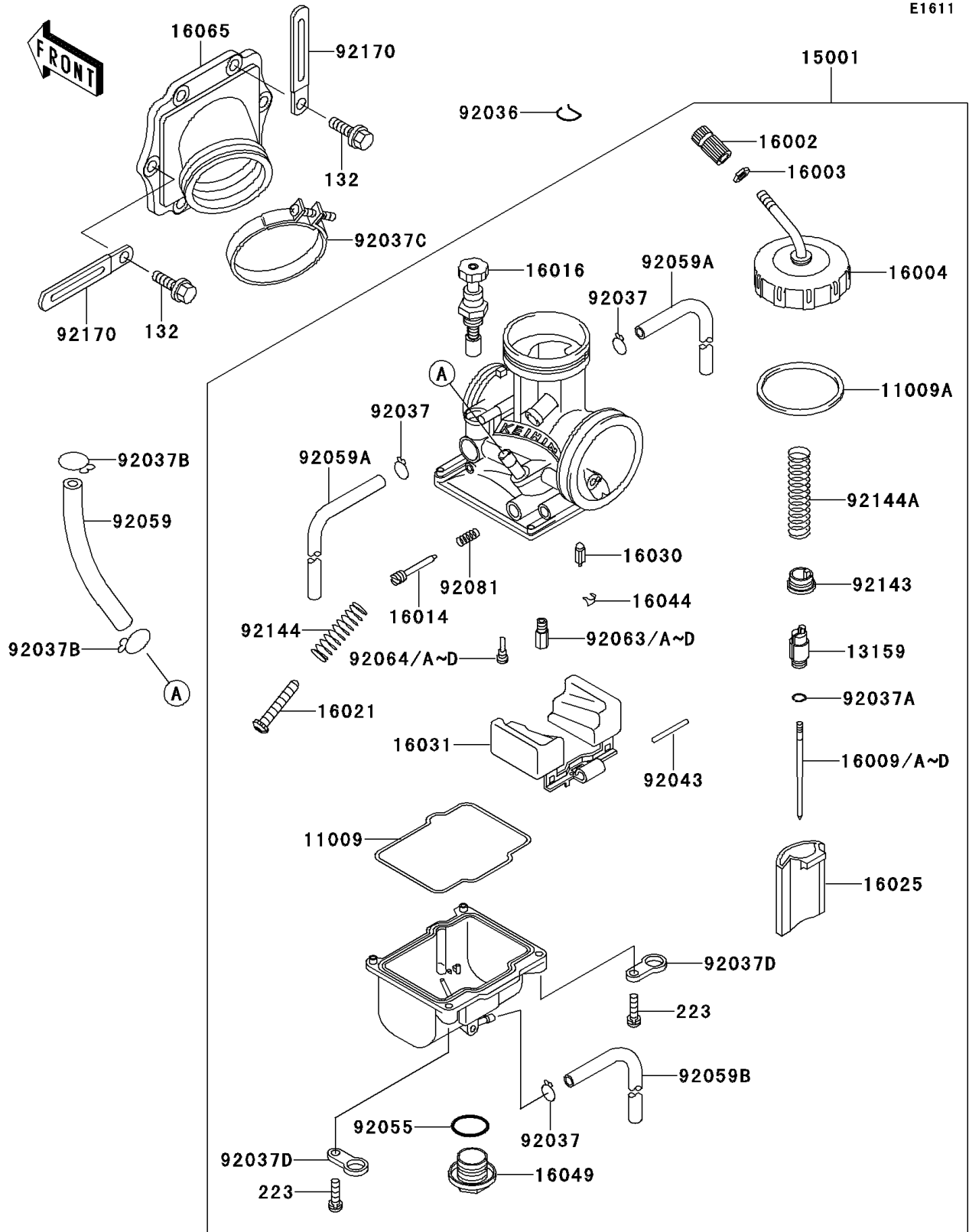


1997 KDX220R PARTS DIAGRAM

Carburetor

E1611



1997 KDX220R PARTS LIST

Carburetor

| ITEM NAME | PART NUMBER | QUANTITY |
|--|-------------|----------|
| GASKET,FLOAT CHAMBER (Ref # 11009) | 11009-1716 | 1 |
| GASKET,CHAMBER CAP (Ref # 11009A) | 11009-1717 | 1 |
| CONNECTOR,THROTTLE CABLE (Ref # 13159) | 13159-1063 | 1 |
| CARBURETOR-ASSY (Ref # 15001) | 15001-1981 | 1 |
| ADJUSTER-CABLE (Ref # 16002) | 16002-1057 | 1 |
| NUT,CABLE ADJUST LOCK (Ref # 16003) | 16003-004 | 1 |
| CAP-CHAMBER (Ref # 16004) | 16004-1070 | 1 |
| NEEDLE-JET,R1171L/2AFLM (Ref # 16009) | 16009-1823 | 1 |
| NEEDLE-JET,R1172L/2AFLN (Ref # 16009A) | 16009-1824 | 1 |
| NEEDLE-JET,R1173L/2AFLP (Ref # 16009B) | 16009-1825 | 1 |
| NEEDLE-JET,R1174L/2AFLQ (Ref # 16009C) | 16009-1826 | 1 |
| NEEDLE-JET,R1175L/2AFLR (Ref # 16009D) | 16009-1827 | 1 |
| SCREW-PILOT AIR (Ref # 16014) | 16014-1058 | 1 |
| PLUNGER,STARTER (Ref # 16016) | 16016-1075 | 1 |
| SCREW-THROTTLE STOP (Ref # 16021) | 16021-1161 | 1 |
| VALVE-THROTTLE,CA5 (Ref # 16025) | 16025-1172 | 1 |
| VALVE-FLOAT (Ref # 16030) | 16030-1057 | 1 |
| FLOAT (Ref # 16031) | 16031-1067 | 1 |
| CLAMP,FLOAT VALVE (Ref # 16044) | 16044-007 | 1 |
| COVER-MAIN JET (Ref # 16049) | 16049-1051 | 1 |
| HOLDER-CARBURETOR (Ref # 16065) | 16065-1298 | 1 |
| RING-SNAP (Ref # 92036) | 92036-018 | 1 |
| CLAMP,TUBE (Ref # 92037) | 92037-1396 | 3 |
| CLAMP,JET NEEDLE (Ref # 92037A) | 92037-1401 | 1 |
| CLAMP,TUBE (Ref # 92037B) | 92037-147 | 2 |
| CLAMP (Ref # 92037C) | 92037-1843 | 1 |
| CLAMP,HOSE (Ref # 92037D) | 92037-1969 | 2 |
| PIN,FLOAT (Ref # 92043) | 92043-1207 | 1 |
| RING-O,MAIN JET COVER (Ref # 92055) | 92055-1167 | 1 |

1997 KDX220R PARTS LIST

Carburetor

| ITEM NAME | PART NUMBER | QUANTITY |
|--|-------------|----------|
| TUBE (Ref # 92059) | 92059-1888 | 1 |
| TUBE,4X7X420 (Ref # 92059A) | 92059-1896 | 2 |
| TUBE,3.5X6.5X330 (Ref # 92059B) | 92059-1897 | 1 |
| JET-MAIN,#140 (Ref # 92063) | 92063-1360 | 1 |
| JET-MAIN,#142 (Ref # 92063A) | 92063-1361 | 1 |
| JET-MAIN,#145 (Ref # 92063B) | 92063-1362 | 1 |
| BOLT-FLANGED-SMALL (Ref # 132) | 132Y0620 | 6 |
| SCREW-PAN-WS-CROS (Ref # 223) | 223C0416 | 4 |
| JET-MAIN,#148 (Ref # 92063C) | 92063-1363 | 1 |
| JET-MAIN,#150 (Ref # 92063D) | 92063-1364 | 1 |
| JET-PILOT,#38 (Ref # 92064) | 92064-1139 | 1 |
| JET-PILOT,#40 (Ref # 92064A) | 92064-1140 | 1 |
| JET-PILOT,#42 (Ref # 92064B) | 92064-1141 | 1 |
| JET-PILOT,#45 (Ref # 92064C) | 92064-1142 | 1 |
| JET-PILOT,#48 (Ref # 92064D) | 92064-1143 | 1 |
| SPRING,ADJUST SCREW (Ref # 92081) | 92081-1555 | 1 |
| COLLAR,THROTTLE VALVE (Ref # 92143) | 92143-1201 | 1 |
| SPRING,THROTTLE STOP SCREW (Ref # 92144) | 92144-1257 | 1 |
| SPRING,THROTTLE VALVE (Ref # 92144A) | 92144-1305 | 1 |
| CLAMP (Ref # 92170) | 92170-1514 | 2 |