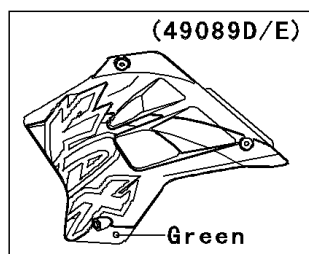
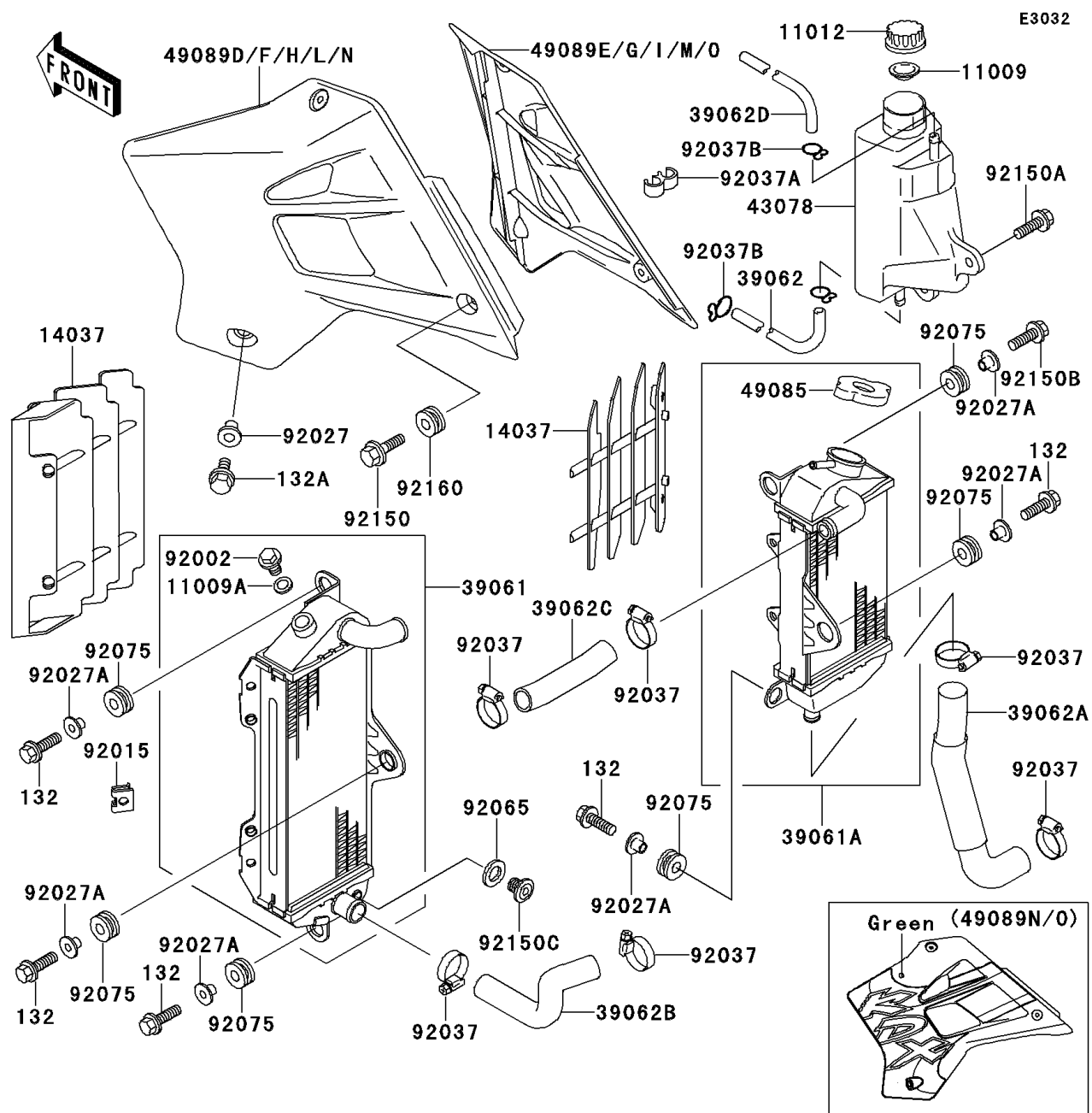
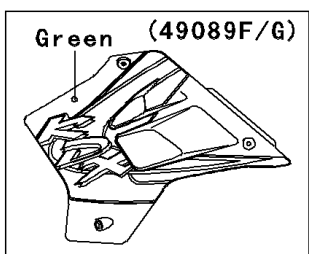


## 1997 KDX220R PARTS DIAGRAM

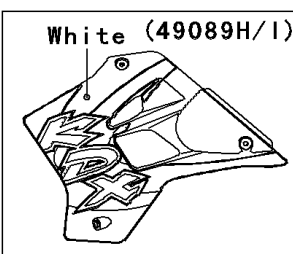
Radiator



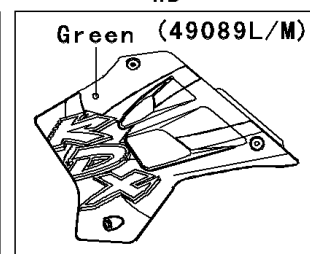
WD



WD



WD



WD

# 1997 KDX220R PARTS LIST

## Radiator

| ITEM NAME                                     | PART NUMBER   | QUANTITY |
|---|---------------|----------|
| GASKET,RESERVOIR TANK CAP (Ref # 11009)       | 11009-1145    | 1        |
| GASKET,DRAIN BOLT (Ref # 11009A)              | 11009-1152    | 1        |
| CAP (Ref # 11012)                             | 11012-1084    | 1        |
| SCREEN,WHITE (Ref # 14037)                    | 14037-1099-RZ | 2        |
| RADIATOR-ASSY,LH (Ref # 39061)                | 39061-1239    | 1        |
| RADIATOR-ASSY,RH (Ref # 39061A)               | 39061-1240    | 1        |
| HOSE-COOLING,5X9X700 (Ref # 39062)            | 39062-1423    | 1        |
| HOSE-COOLING,RADIATOR,RH-PUMP (Ref # 39062A)  | 39062-1579    | 1        |
| HOSE-COOLING,HEAD-RADIATOR,LH (Ref # 39062B)  | 39062-1580    | 1        |
| HOSE-COOLING,RADIATOR-RADIATOR (Ref # 39062C) | 39062-1609    | 1        |
| HOSE-COOLING,5X9X368.5 (Ref # 39062D)         | 39062-1619    | 1        |
| RESERVOIR (Ref # 43078)                       | 43078-1142    | 1        |
| CAP-ASSY-PRESSURE,P1.1 (Ref # 49085)          | 49085-1070    | 1        |
| SHROUD-ENGINE,LH,L.GREEN (Ref # 49089D)       | 49089-5284-6W | 1        |
| SHROUD-ENGINE,RH,L.GREEN (Ref # 49089E)       | 49089-5285-6W | 1        |
| BOLT,RADIATOR DRAIN (Ref # 92002)             | 92002-1682    | 1        |
| NUT (Ref # 92015)                             | 92015-1487    | 2        |
| COLLAR (Ref # 92027)                          | 92027-1183    | 2        |
| COLLAR,L=13.1 (Ref # 92027A)                  | 92027-251     | 6        |
| CLAMP,COOLING HOSE (Ref # 92037)              | 92037-1589    | 6        |
| CLAMP,HOSE (Ref # 92037A)                     | 92037-1603    | 1        |
| CLAMP (Ref # 92037B)                          | 92037-1712    | 3        |
| GASKET,10.5X16X1 (Ref # 92065)                | 92065-058     | 1        |
| DAMPER (Ref # 92075)                          | 92075-209     | 6        |
| BOLT-FLANGED-SMALL (Ref # 132)                | 132Y0620      | 5        |
| BOLT-FLANGED-SMALL (Ref # 132A)               | 132Y0625      | 2        |
| BOLT,6X12 (Ref # 92150)                       | 92150-1435    | 4        |
| BOLT,FLANGED,6X14 (Ref # 92150A)              | 92150-1504    | 2        |
| BOLT,FLANGED,6X25 (Ref # 92150B)              | 92150-1507    | 1        |

# 1997 KDX220R PARTS LIST

## Radiator

| ITEM NAME                 | PART NUMBER | QUANTITY |
|---------------------------|-------------|----------|
| BOLT,10X10 (Ref # 92150C) | 92150-1867  | 1        |
| DAMPER (Ref # 92160)      | 92160-1167  | 2        |