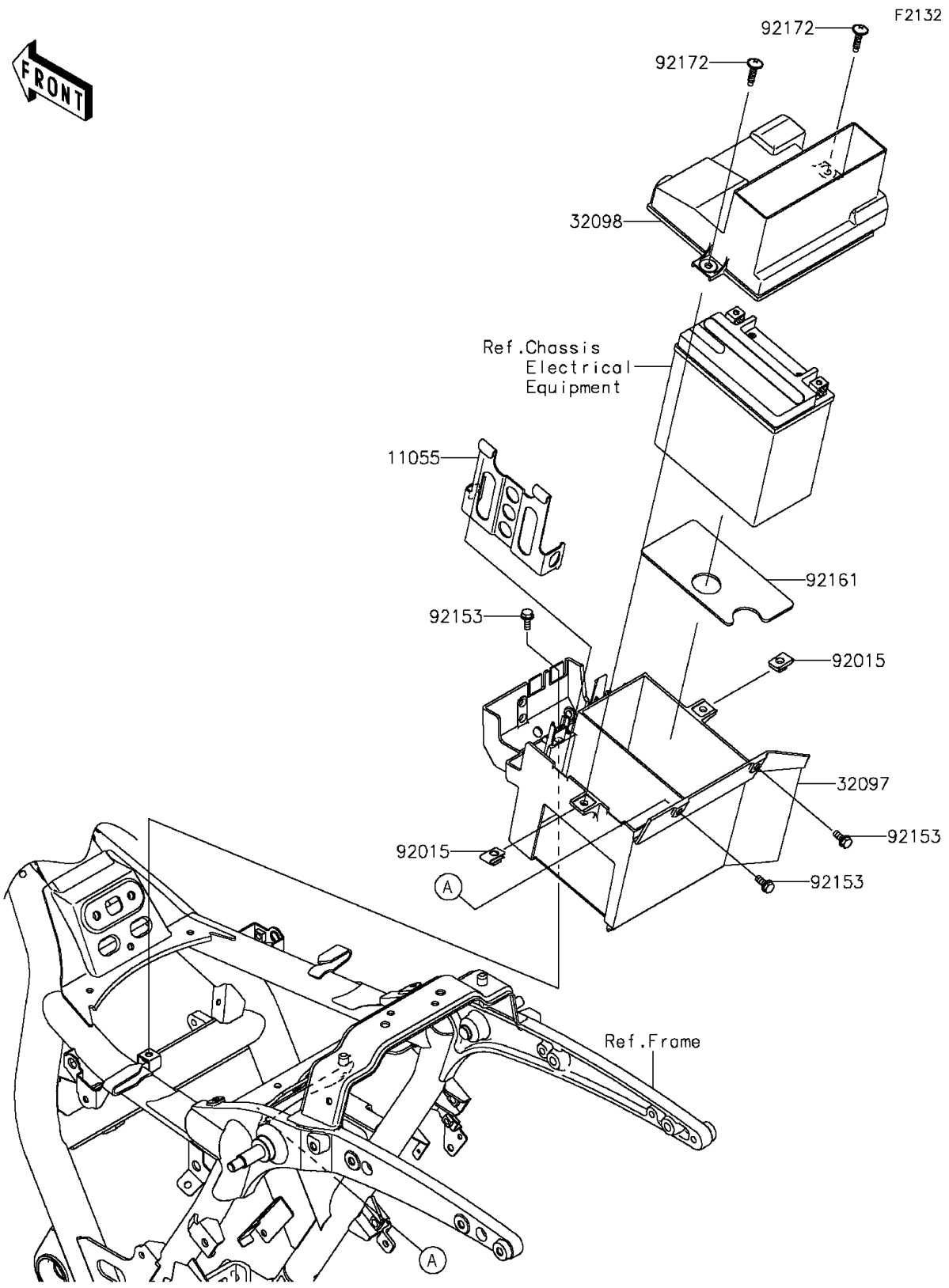


2015 VULCAN® 1700 VAQUERO® ABS PARTS DIAGRAM

Battery Case



2015 VULCAN[®] 1700 VAQUERO[®] ABS PARTS LIST

Battery Case

ITEM NAME	PART NUMBER	QUANTITY
-----------	-------------	----------