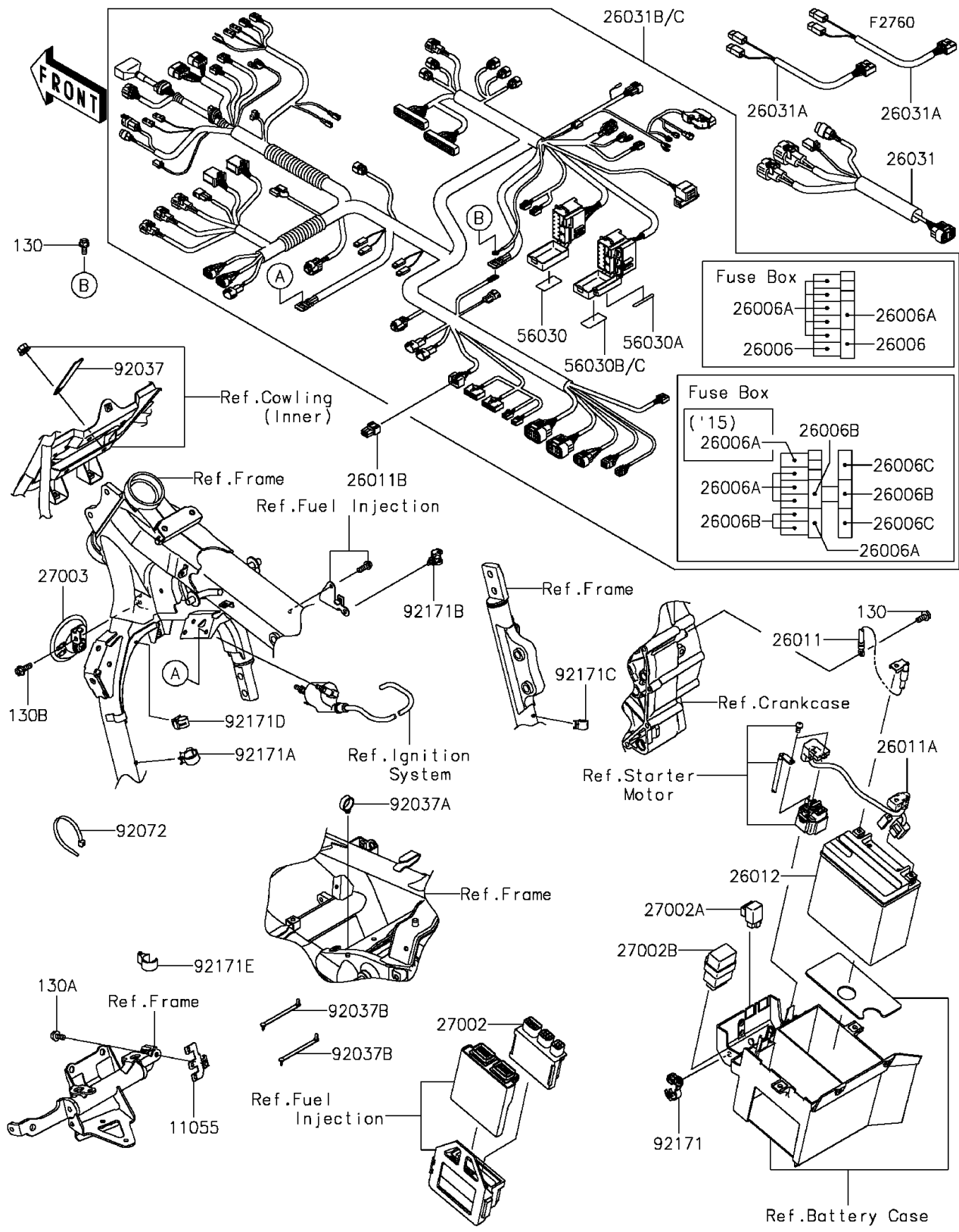


2015 VULCAN® 1700 VAQUERO® ABS PARTS DIAGRAM

Chassis Electrical Equipment



2015 VULCAN® 1700 VAQUERO® ABS PARTS LIST

Chassis Electrical Equipment

ITEM NAME	PART NUMBER	QUANTITY
-----------	-------------	----------