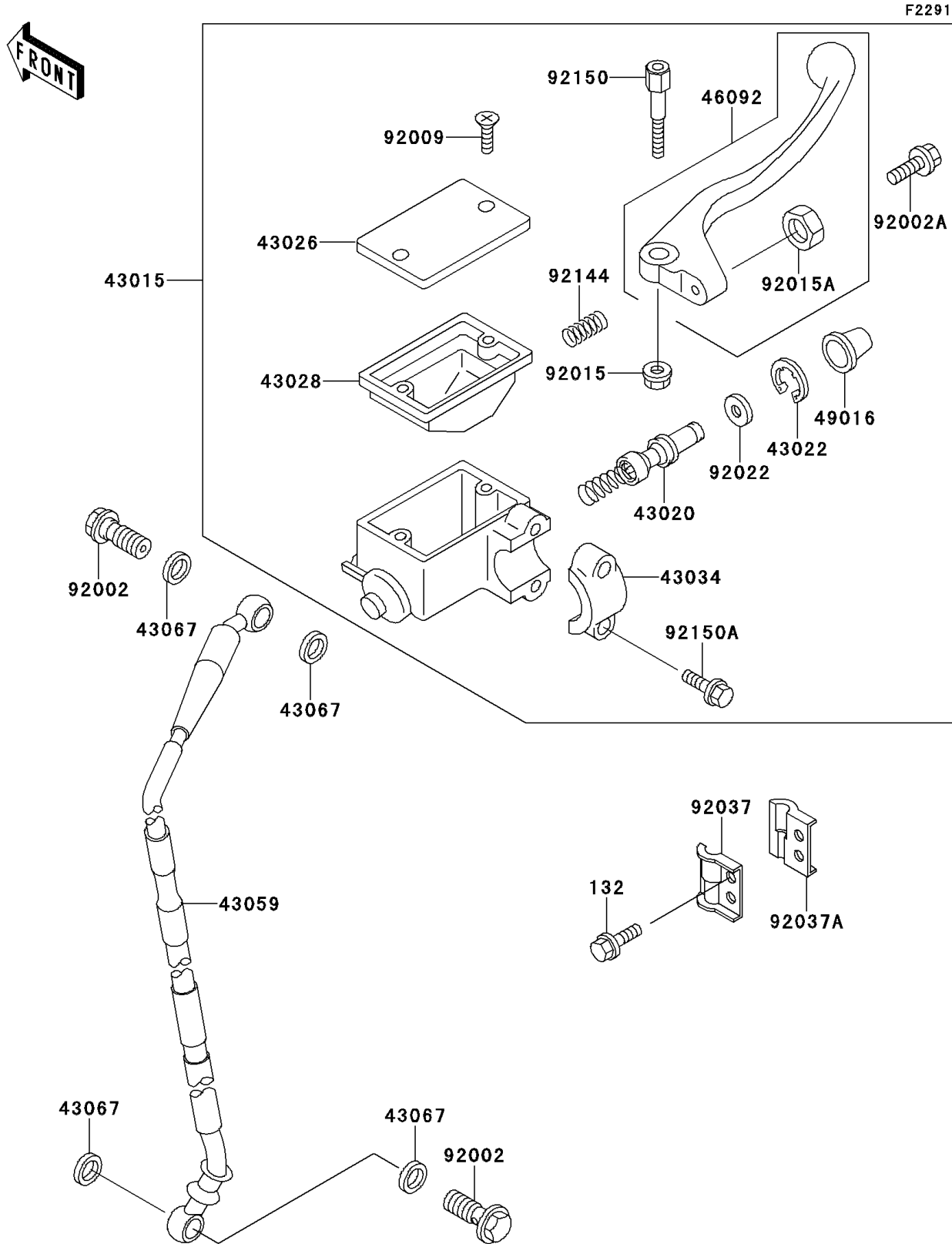


# 1997 KDX220R PARTS DIAGRAM

## Front Master Cylinder



# 1997 KDX220R PARTS LIST

## Front Master Cylinder

ITEM NAME	PART NUMBER	QUANTITY
BOLT-FLANGED-SMALL (Ref # 132)	132G0616	2
CYLINDER-ASSY-MASTER,FR (Ref # 43015)	43015-1588	1
PISTON-COMP-BRAKE (Ref # 43020)	43020-1109	1
STOPPER-BRAKE,PISTON (Ref # 43022)	43022-1010	1
CAP-BRAKE (Ref # 43026)	43026-1075	1
DIAPHRAGM (Ref # 43028)	43028-1067	1
HOLDER-BRAKE (Ref # 43034)	43034-1110	1
HOSE-BRAKE,FR (Ref # 43059)	43059-1812	1
WASHER,10.5X15X1.5 (Ref # 43067)	43067-001	4
LEVER-GRIP,FRONT BRAKE (Ref # 46092)	46092-1186	1
COVER-SEAL,MASTER CYLINDER (Ref # 49016)	49016-1044	1
BOLT,OIL,L=23 (Ref # 92002)	92002-1888	2
BOLT,ADJUST (Ref # 92002A)	92002-1893	1
SCREW,4MM (Ref # 92009)	92009-1458	2
NUT,FLANGED,6MM (Ref # 92015)	92015-1528	1
NUT,ADJUST (Ref # 92015A)	92015-1642	1
WASHER (Ref # 92022)	92022-1814	1
CLAMP,BRAKE HOSE,OUTSIDE (Ref # 92037)	92037-1362	1
CLAMP,BRAKE HOSE,INSIDE (Ref # 92037A)	92037-1363	1
SPRING,RETURN (Ref # 92144)	92144-1725	1
BOLT,LEVER SET (Ref # 92150)	92150-1383	1
BOLT (Ref # 92150A)	92150-1452	2