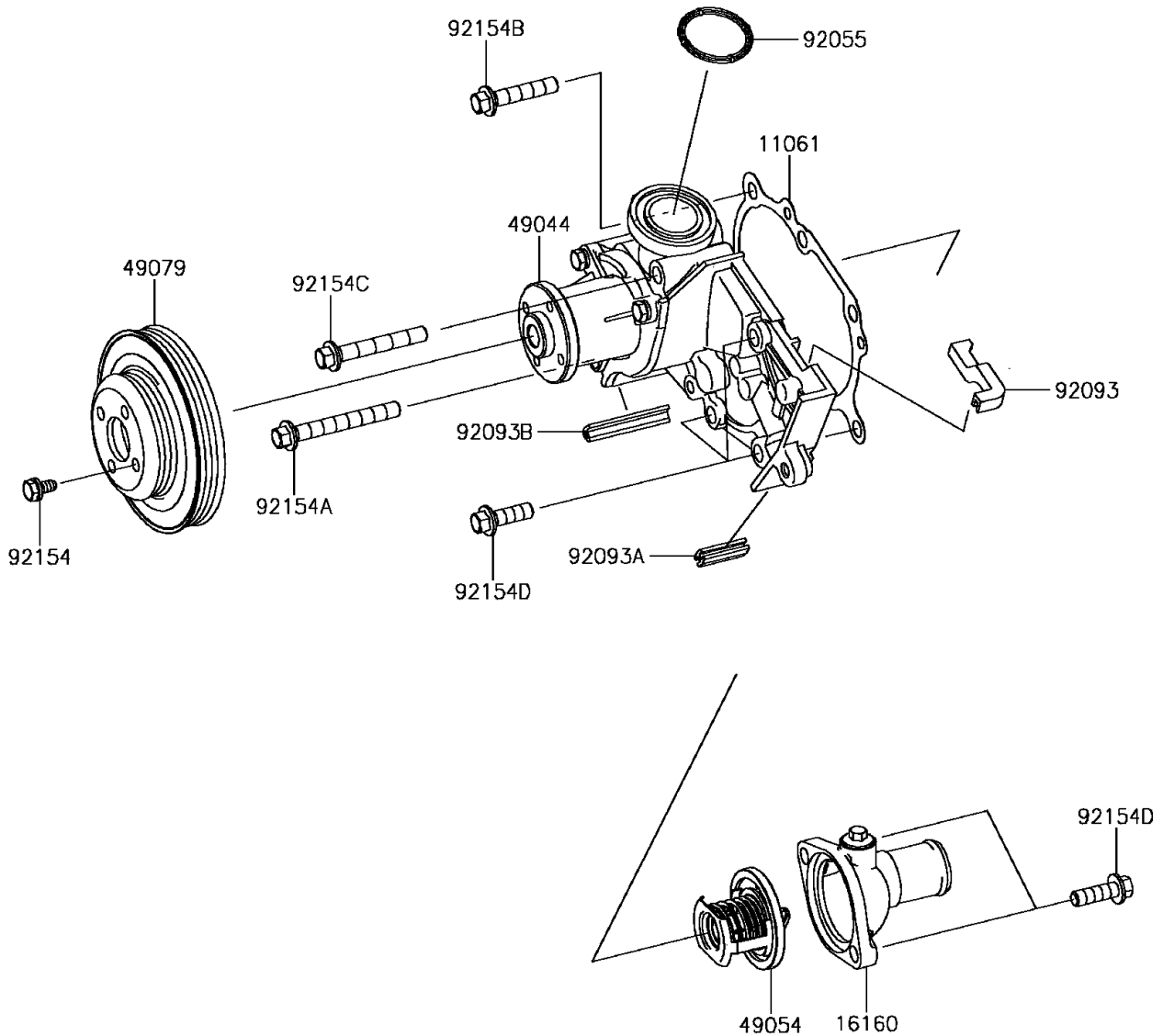


# 2017 MULE PRO-FX™ PARTS DIAGRAM

Water Pump

E3031



# 2017 MULE PRO-FX™ PARTS LIST

Water Pump

ITEM NAME	PART NUMBER	QUANTITY
-----------	-------------	----------