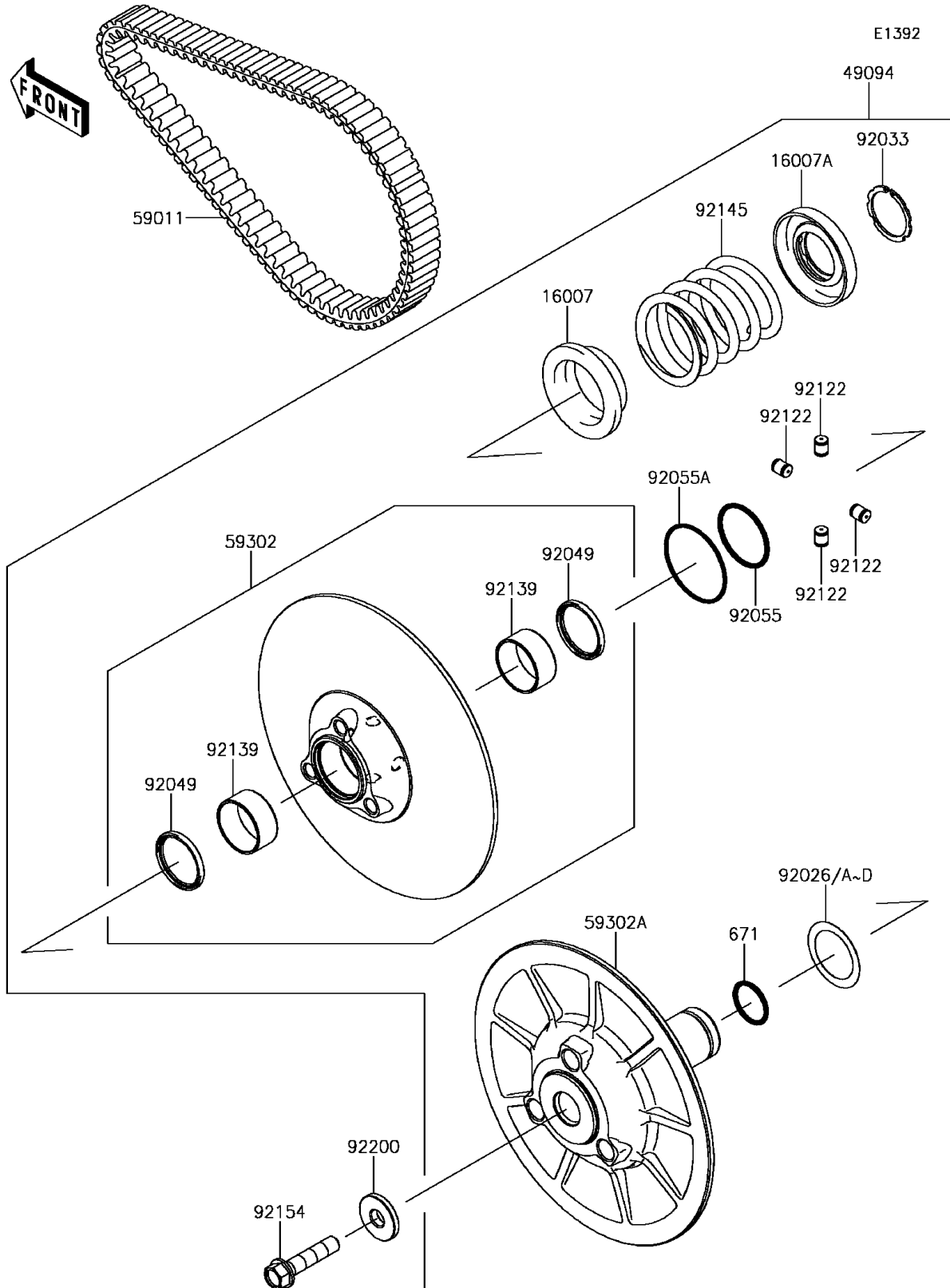


# 2017 MULE PRO-FX™ EPS LE PARTS DIAGRAM

Driven Converter/Drive Belt



# 2017 MULE PRO-FX™ EPS LE PARTS LIST

Driven Converter/Drive Belt

| ITEM NAME | PART NUMBER | QUANTITY |
|-----------|-------------|----------|
|-----------|-------------|----------|