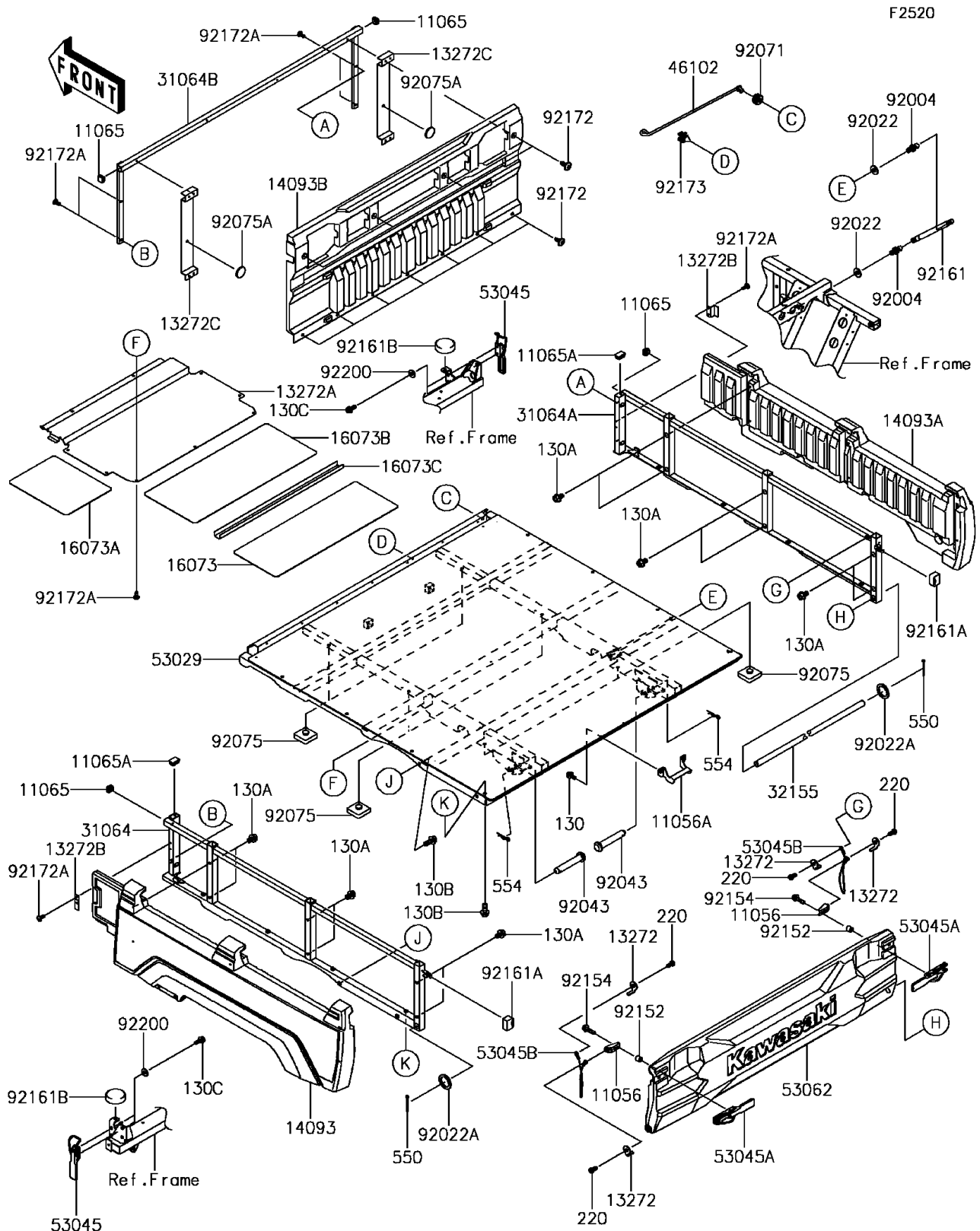


# 2017 MULE PRO-FX™ EPS LE PARTS DIAGRAM

Carrier(s)



# 2017 MULE PRO-FX™ EPS LE PARTS LIST

Carrier(s)

ITEM NAME	PART NUMBER	QUANTITY
-----------	-------------	----------