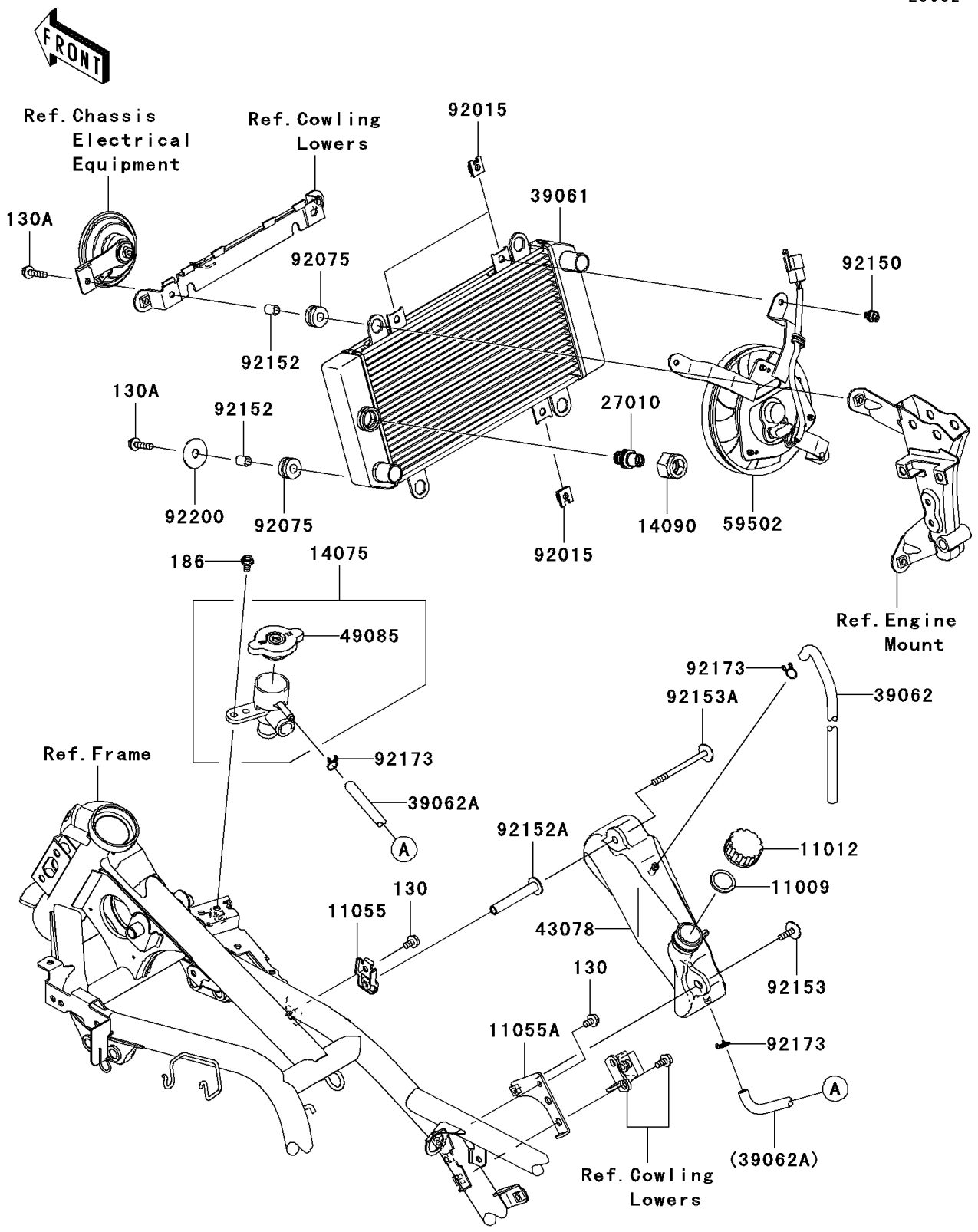


2008 Ninja® 250R PARTS DIAGRAM

Radiator

E3032



2008 Ninja® 250R PARTS LIST

Radiator

ITEM NAME	PART NUMBER	QUANTITY
BOLT-FLANGED,6X10 (Ref # 130)	130BB0610	2
BOLT-FLANGED,6X25 (Ref # 130A)	130BB0625	4
BOLT-UPSET-WP,6X16 (Ref # 186)	186AB0616	1
GASKET,RESERVOIR TANK CAP (Ref # 11009)	11009-1145	1
CAP (Ref # 11012)	11012-1084	1
BRACKET (Ref # 11055)	11055-0389	1
BRACKET,RESERVOIR TANK,BLACK (Ref # 11055A)	11055-1010-18R	1
CAP-ASSY,RADIATOR (Ref # 14075)	14075-1061	1
COVER (Ref # 14090)	14090-1830	1
SWITCH (Ref # 27010)	27010-1443	1
RADIATOR-ASSY (Ref # 39061)	39061-0122	1
HOSE-COOLING,OVERFLOW (Ref # 39062)	39062-0191	1
HOSE-COOLING,RESERVOIR-CAP (Ref # 39062A)	39062-0192	1
RESERVOIR (Ref # 43078)	43078-0042	1
CAP-ASSY-PRESSURE (Ref # 49085)	49085-1066	1
FAN-ASSY (Ref # 59502)	59502-0034	1
NUT (Ref # 92015)	92015-1487	3
DAMPER (Ref # 92075)	92075-209	4
BOLT,6X12 (Ref # 92150)	92150-1186	3
COLLAR,6.8X10X13 (Ref # 92152)	92152-0580	4
COLLAR,L=64.8 (Ref # 92152A)	92152-1364	1
BOLT,FLANGED-SMALL,6X16 (Ref # 92153)	92153-1798	1
BOLT,FLANGED-SMALL,6X80 (Ref # 92153A)	92153-1799	1
CLAMP (Ref # 92173)	92173-0050	3
WASHER,6.5X22X1.6 (Ref # 92200)	92200-1087	2