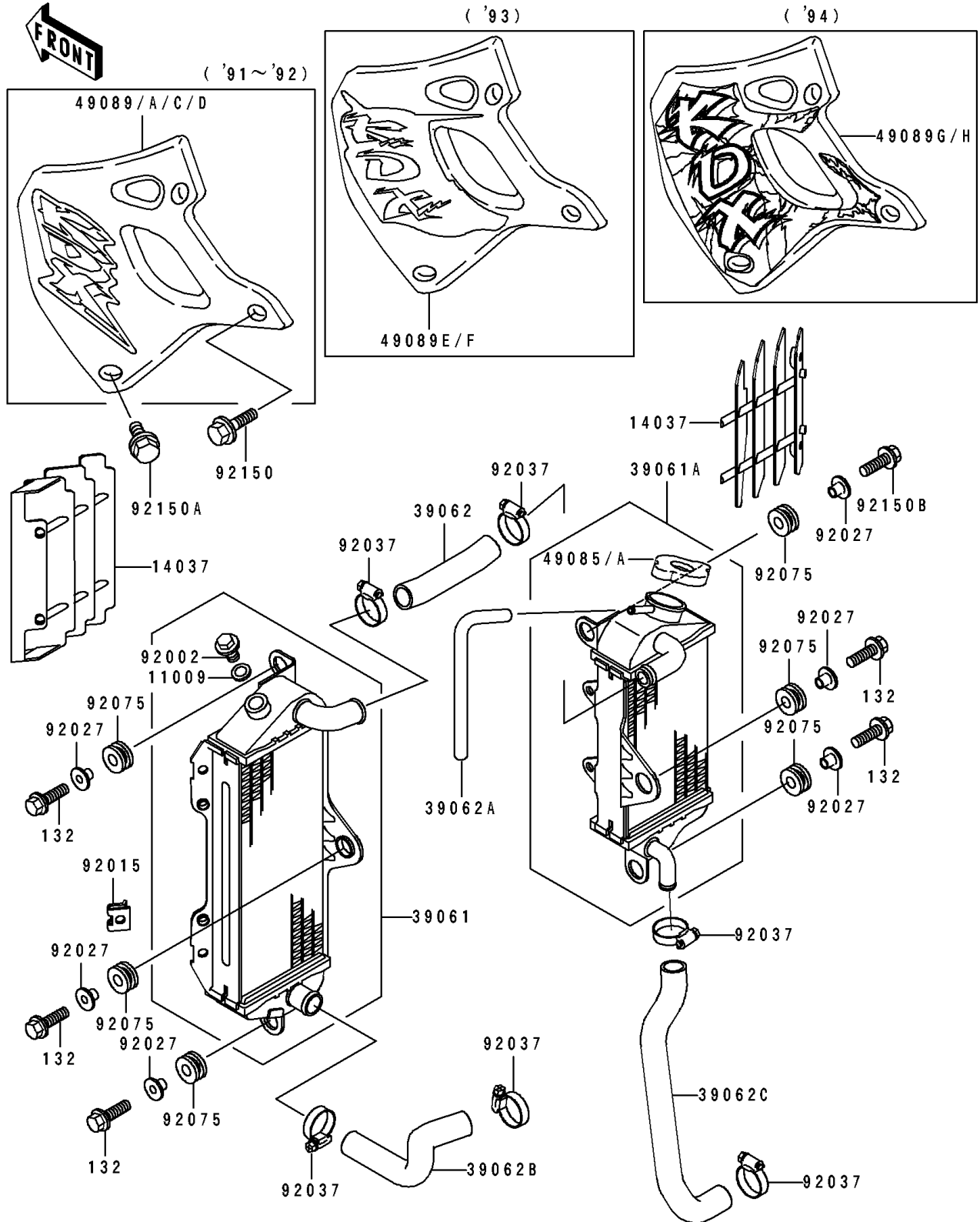


1992 KDX250 PARTS DIAGRAM

Radiator

E3032



1992 KDX250 PARTS LIST

Radiator

ITEM NAME	PART NUMBER	QUANTITY
GASKET,DRAIN BOLT (Ref # 11009)	11009-1152	1
SCREEN,L.GREEN (Ref # 14037)	14037-1099-6W	2
RADIATOR-ASSY,LH (Ref # 39061)	39061-1127	1
RADIATOR-ASSY,RH (Ref # 39061A)	39061-1172	1
HOSE-COOLING,RADIATOR,LH-RH (Ref # 39062)	39062-1302	1
HOSE-COOLING,5X9X700 (Ref # 39062A)	39062-1423	1
HOSE-COOLING,HEAD-RADIATOR,LH (Ref # 39062B)	39062-1435	1
HOSE-COOLING,RADIATOR,RH-PUMP (Ref # 39062C)	39062-1471	1
CAP-ASSY-PRESSURE (Ref # 49085)	49085-1003	1
CAP-ASSY-PRESSURE,P=1.6 (Ref # 49085A)	49085-1059	1
SHROUD-ENGINE,LH,L.GREEN (Ref # 49089C)	49089-5151-6W	1
SHROUD-ENGINE,RH,L.GREEN (Ref # 49089D)	49089-5152-6W	1
BOLT,RADIATOR DRAIN (Ref # 92002)	92002-1682	1
NUT (Ref # 92015)	92015-1487	2
COLLAR,L=11.1 (Ref # 92027)	92027-194	6
CLAMP,COOLING HOSE (Ref # 92037)	92037-1589	6
DAMPER (Ref # 92075)	92075-209	6
BOLT,6X14 (Ref # 92150)	92150-1392	2
BOLT,6X12 (Ref # 92150A)	92150-1435	4
BOLT,FLANGED,6X25 (Ref # 92150B)	92150-1507	1
BOLT-FLANGED-SMALL (Ref # 132)	132G0620	5