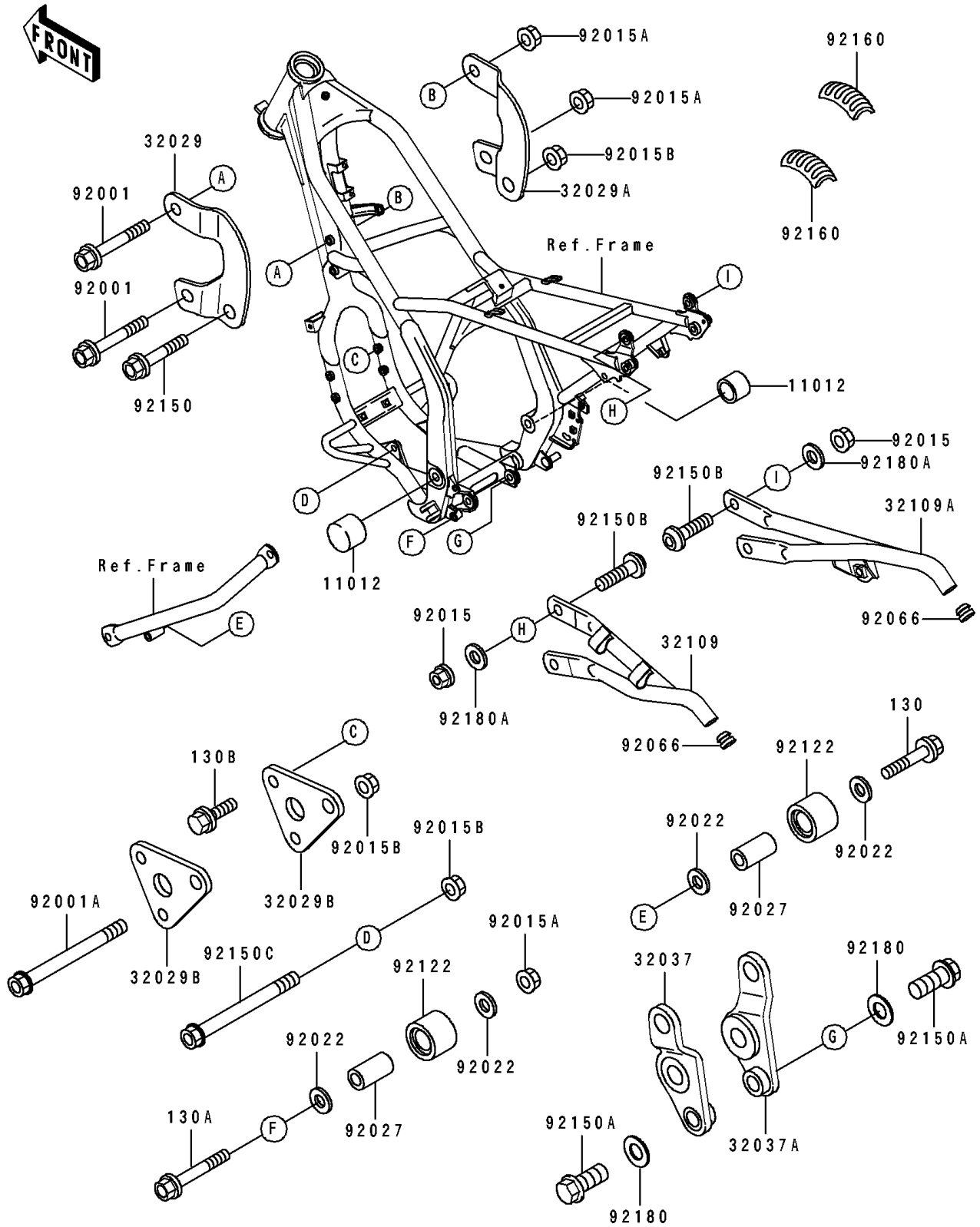


1993 KDX250 PARTS DIAGRAM

Frame Fittings

F2131



1993 KDX250 PARTS LIST

Frame Fittings

ITEM NAME	PART NUMBER	QUANTITY
CAP,AXLE NUT (Ref # 11012)	11012-1591	2
BRACKET-ENGINE,STAY HEAD,LH (Ref # 32029)	32029-1755	1
BRACKET-ENGINE,STAY HEAD,RH (Ref # 32029A)	32029-1756	1
BRACKET-ENGINE,FR (Ref # 32029B)	32029-1757	2
BRACKET-SHOCKABSORBER,LH (Ref # 32037)	32037-1495	1
BRACKET-SHOCKABSORBER,RH (Ref # 32037A)	32037-1496	1
GRIP-FRAME,LH,L.GREEN (Ref # 32109)	32109-1221-CC	1
GRIP-FRAME,RH,L.GREEN (Ref # 32109A)	32109-1222-CC	1
BOLT,FLANGED,8X70 (Ref # 92001)	92001-1583	2
BOLT,FLANGED,10X92 (Ref # 92001A)	92001-1701	1
NUT,LOCK,10MM (Ref # 92015)	92015-1429	4
NUT,8MM (Ref # 92015A)	92015-1432	3
NUT,FLANGED,10MM (Ref # 92015B)	92015-1502	3
WASHER,8.5X20X1.6 (Ref # 92022)	92022-1561	4
COLLAR,CHAIN ROLLER (Ref # 92027)	92027-1670	2
PLUG,COWLING STAY (Ref # 92066)	92066-1184	2
ROLLER,CHAIN GUIDE (Ref # 92122)	92122-1153	2
BOLT,FLANGED,10X50 (Ref # 92150)	92150-1125	1
BOLT,FLANGED,12X27 (Ref # 92150A)	92150-1359	2
BOLT,SOCKET,10X30 (Ref # 92150B)	92150-1517	4
BOLT,FLANGED,10X105 (Ref # 92150C)	92150-1624	1
DAMPER,GRIP FRAME (Ref # 92160)	92160-1305	2
SHIM,12.5X24X0.5 (Ref # 92180)	92180-1060	2
SHIM,10.5X24X0.5 (Ref # 92180A)	92180-1109	4
BOLT-FLANGED,8X40 (Ref # 130)	130G0840	1
BOLT-FLANGED,8X55 (Ref # 130A)	130G0855	1
BOLT-FLANGED (Ref # 130B)	130P0825	4