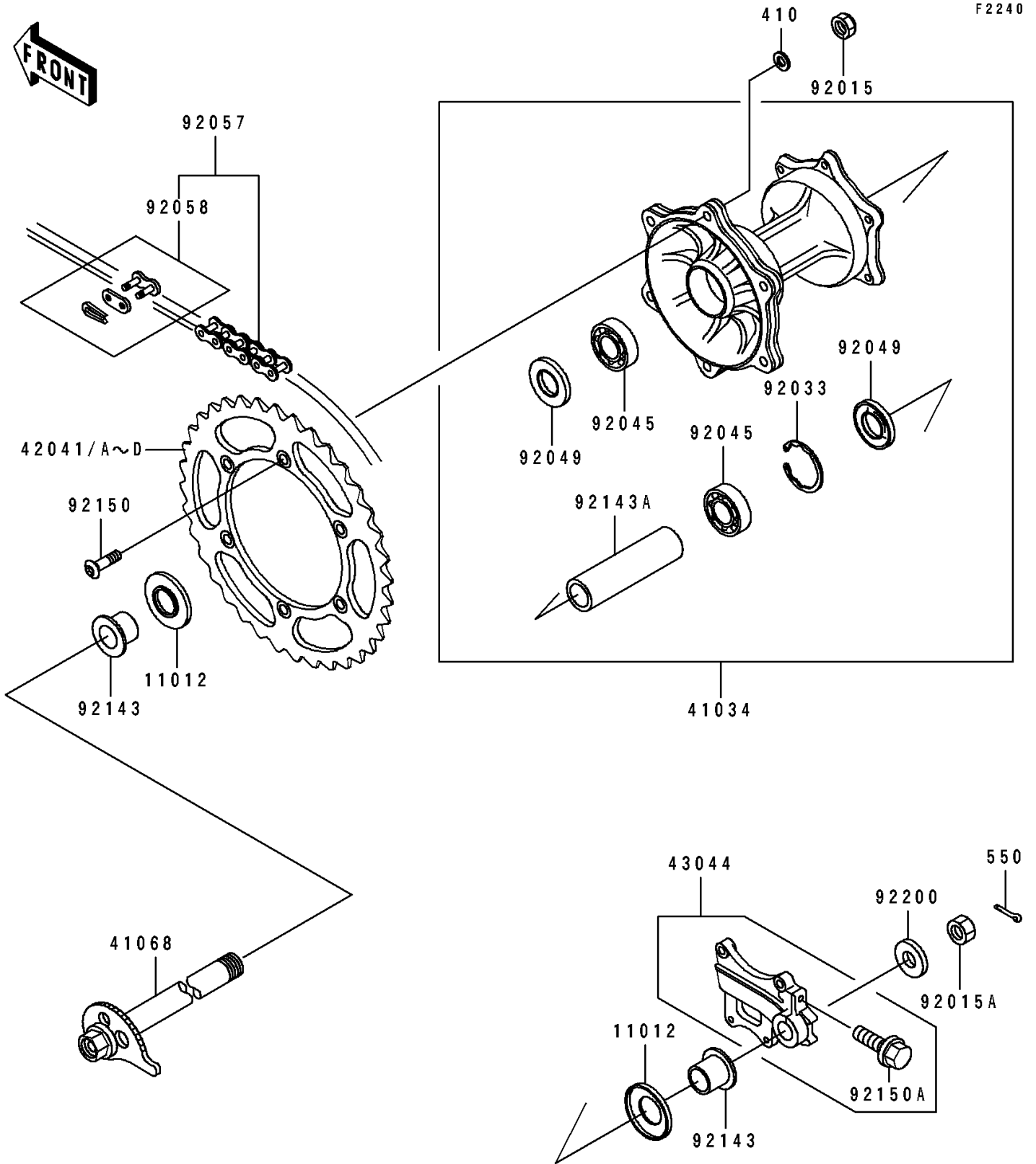


# 1992 KDX250 PARTS DIAGRAM

Rear Hub



# 1992 KDX250 PARTS LIST

## Rear Hub

| ITEM NAME                                 | PART NUMBER | QUANTITY |
|---|-------------|----------|
| CAP,AXLE (Ref # 11012)                    | 11012-1581  | 2        |
| DRUM-ASSY,REAR BRAKE (Ref # 41034)        | 41034-1216  | 1        |
| AXLE,RR (Ref # 41068)                     | 41068-1325  | 1        |
| SPROCKET-HUB,46T (Ref # 42041)            | 42041-1381  | 1        |
| SPROCKET-HUB,47T (Ref # 42041A)           | 42041-1382  | 1        |
| SPROCKET-HUB,48T (Ref # 42041B)           | 42041-1383  | 1        |
| SPROCKET-HUB,49T (Ref # 42041C)           | 42041-1384  | 1        |
| SPROCKET-HUB,45T (Ref # 42041D)           | 42041-1413  | 1        |
| HOLDER-COMP-CALIPER (Ref # 43044)         | 43044-1099  | 1        |
| NUT,8MM (Ref # 92015)                     | 92015-1432  | 6        |
| NUT,LOCK,20MM (Ref # 92015A)              | 92015-1770  | 1        |
| RING-SNAP,42MM (Ref # 92033)              | 92033-1041  | 1        |
| BEARING-BALL,6004X8JRLX2/3A (Ref # 92045) | 92045-1239  | 2        |
| SEAL-OIL,BJNC2 25425 (Ref # 92049)        | 92049-1203  | 2        |
| CHAIN,DRIVE,DID520KX112L (Ref # 92057)    | 92057-1117  | 1        |
| JOINT-CHAIN (Ref # 92058)                 | 92058-1051  | 1        |
| COLLAR,RR AXLE,L=22 (Ref # 92143)         | 92143-1259  | 2        |
| COLLAR,RR BRAKE DRUM,L=105 (Ref # 92143A) | 92143-1402  | 1        |
| BOLT,SOCKET,8X28 (Ref # 92150)            | 92150-1196  | 6        |
| BOLT,FLANGED,6X16 (Ref # 92150A)          | 92150-1506  | 1        |
| WASHER,20.2X36X2 (Ref # 92200)            | 92200-1146  | 1        |
| WASHER-PLAIN-SMALL,8MM (Ref # 410)        | 410B0800    | 6        |
| PIN-COTTER,3.0X25 (Ref # 550)             | 550D3025    | 1        |