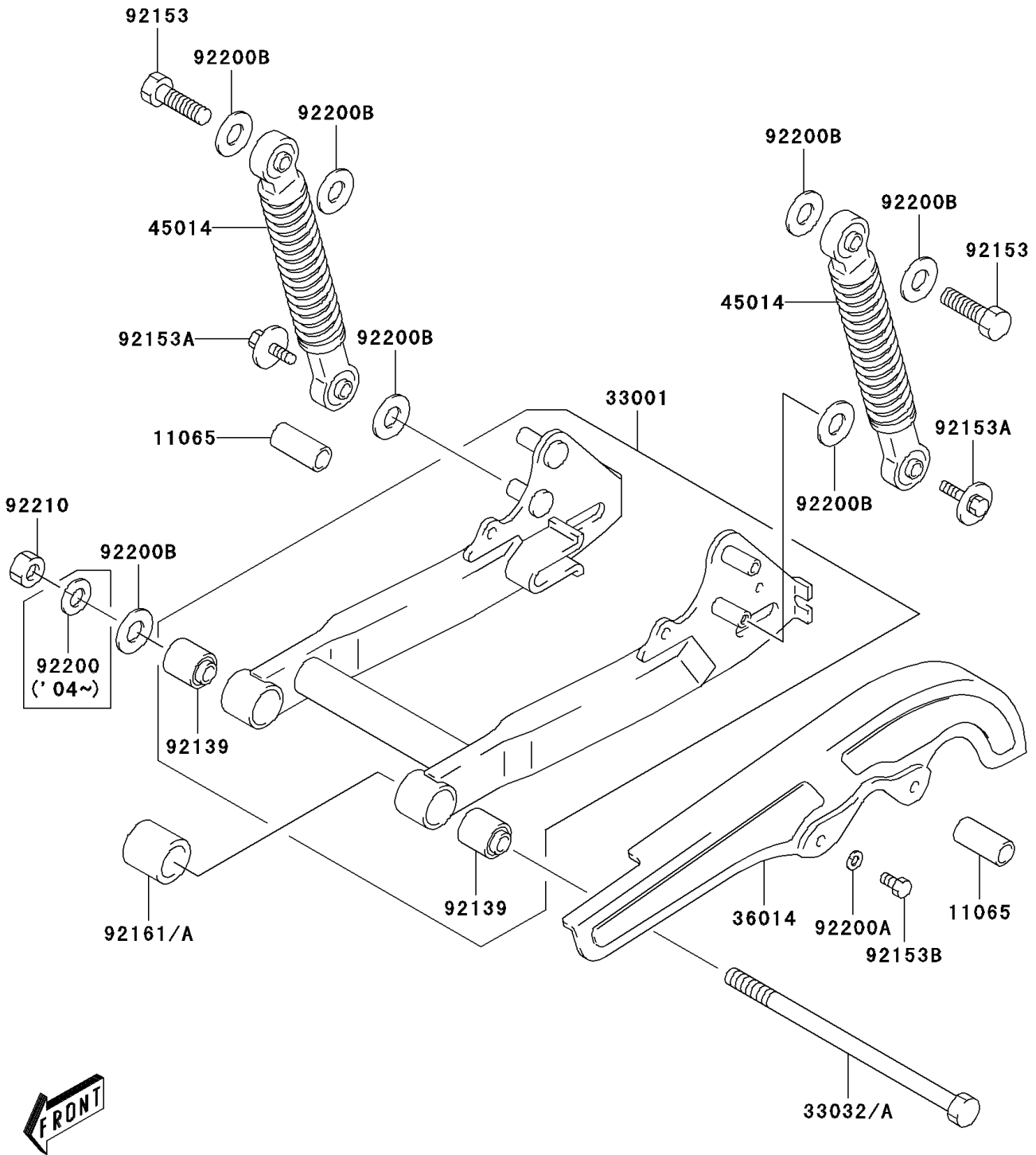


2003 KDX50 PARTS DIAGRAM

Swingarm

F2141



2003 KDX50 PARTS LIST

Swingarm

ITEM NAME	PART NUMBER	QUANTITY
CAP (Ref # 11065)	11065-S044	2
ARM-COMP-SWING,B.SILVER (Ref # 33001)	33001-S007-530	1
SHAFT-SWING ARM (Ref # 33032)	33032-S004	1
CASE-CHAIN (Ref # 36014)	36014-S006	1
SHOCKABSORBER (Ref # 45014)	45014-S020	2
BUSHING,10X22X28 (Ref # 92139)	92139-S031	2
BOLT,10X35 (Ref # 92153)	92153-S324	2
BOLT,6X12 (Ref # 92153A)	92153-S325	2
BOLT,6X12 (Ref # 92153B)	92153-S326	2
DAMPER (Ref # 92161)	92161-S113	1
WASHER,CHAIN ADJUSTER LOCK (Ref # 92200A)	92200-S102	2
WASHER,10.5X22X1.6 (Ref # 92200B)	92200-S173	7
NUT (Ref # 92210)	92210-S002	1