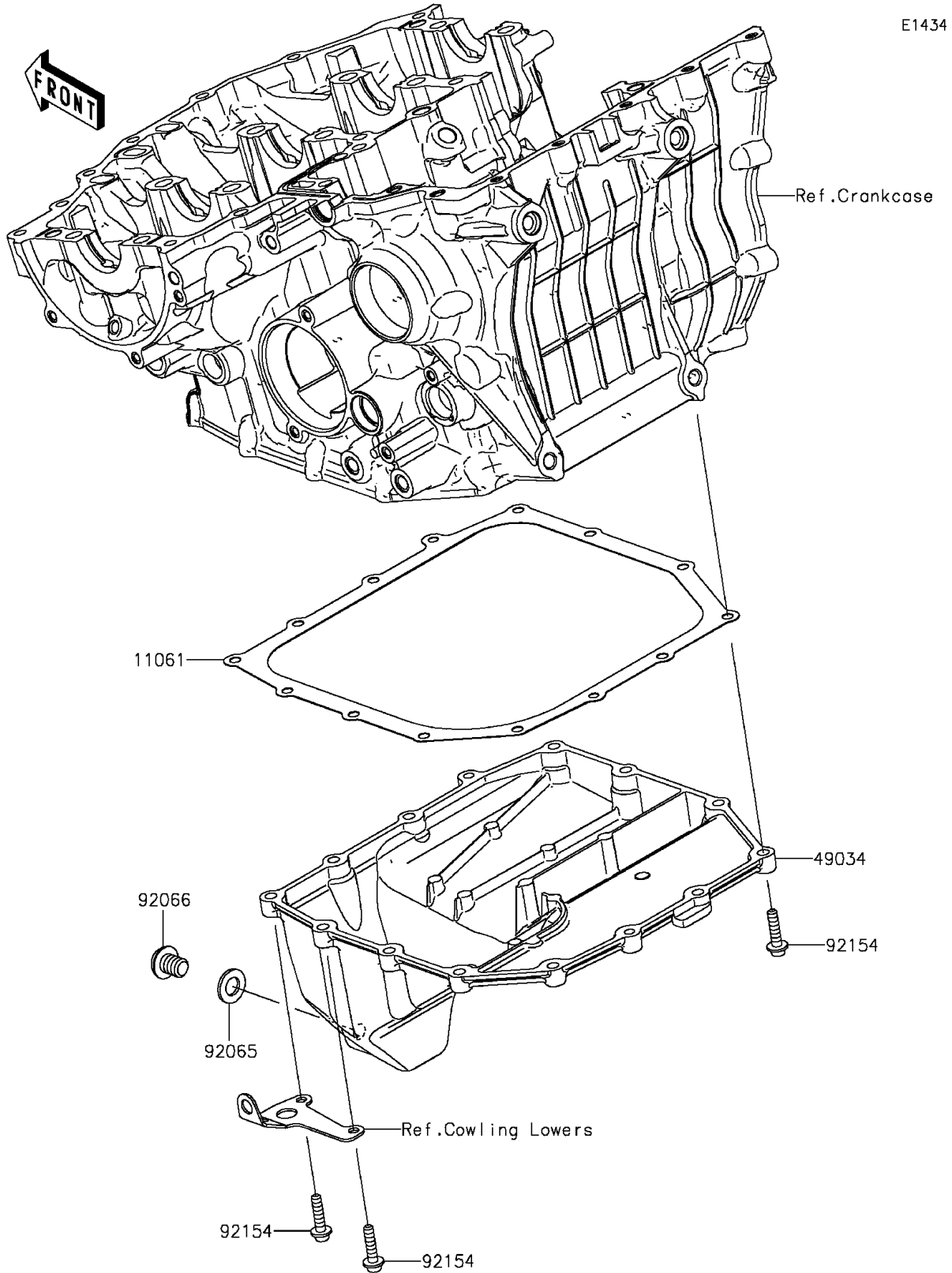


# 2015 NINJA H2™ PARTS DIAGRAM

Oil Pan



## 2015 NINJA H2™ PARTS LIST

Oil Pan

ITEM NAME	PART NUMBER	QUANTITY
-----------	-------------	----------