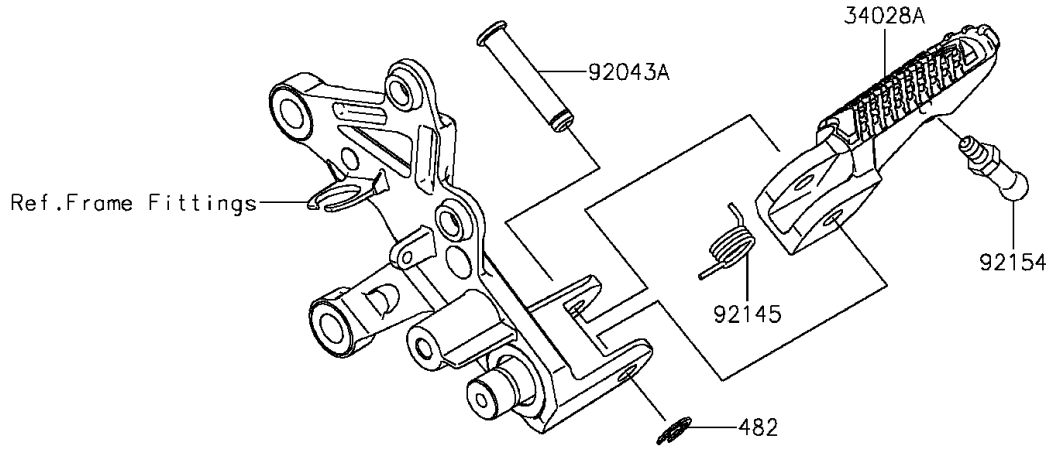


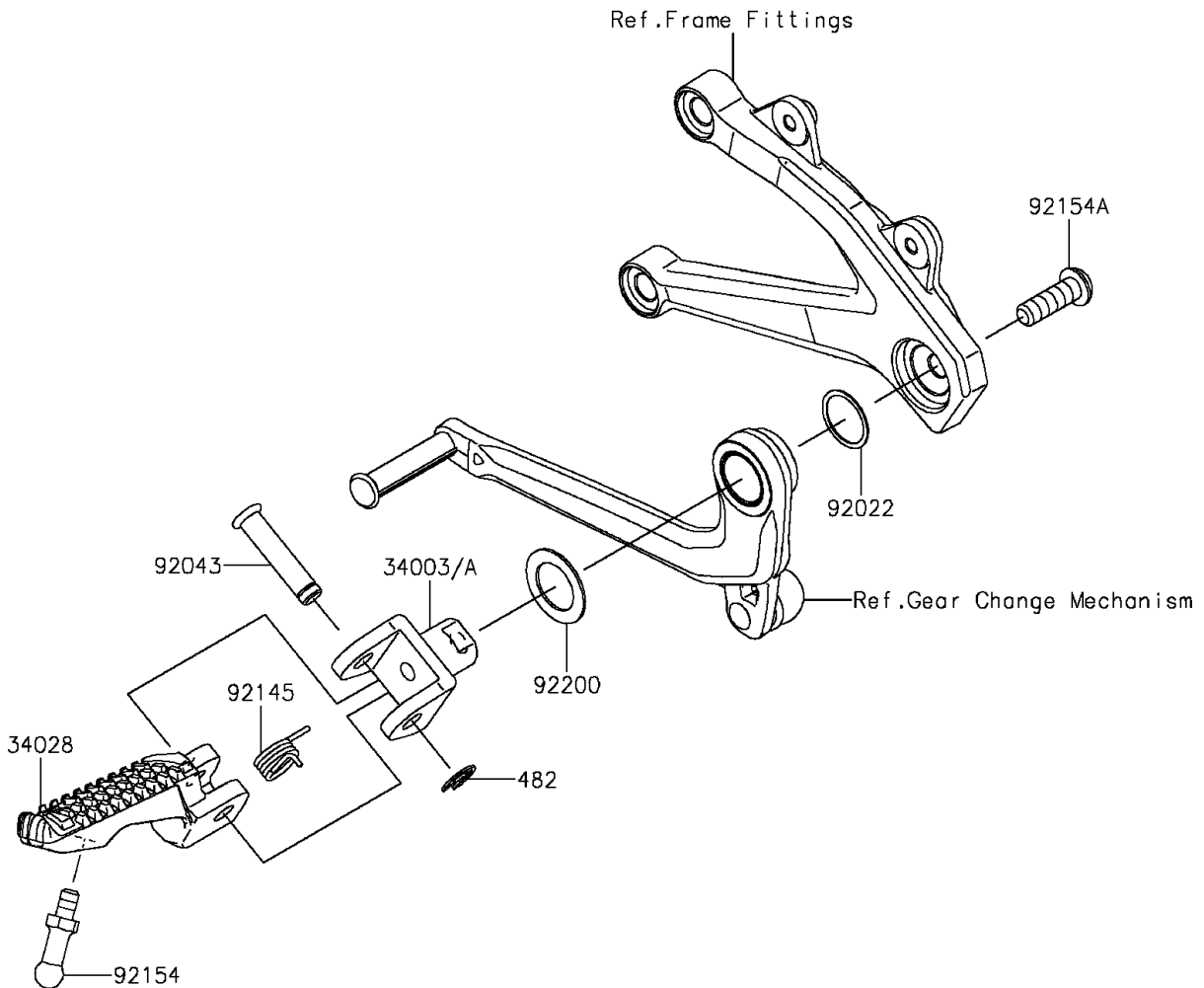
# 2015 NINJA H2™ PARTS DIAGRAM

## Footrests

F2160



Ref. Frame Fittings



# 2015 NINJA H2™ PARTS LIST

Footrests

ITEM NAME	PART NUMBER	QUANTITY
-----------	-------------	----------