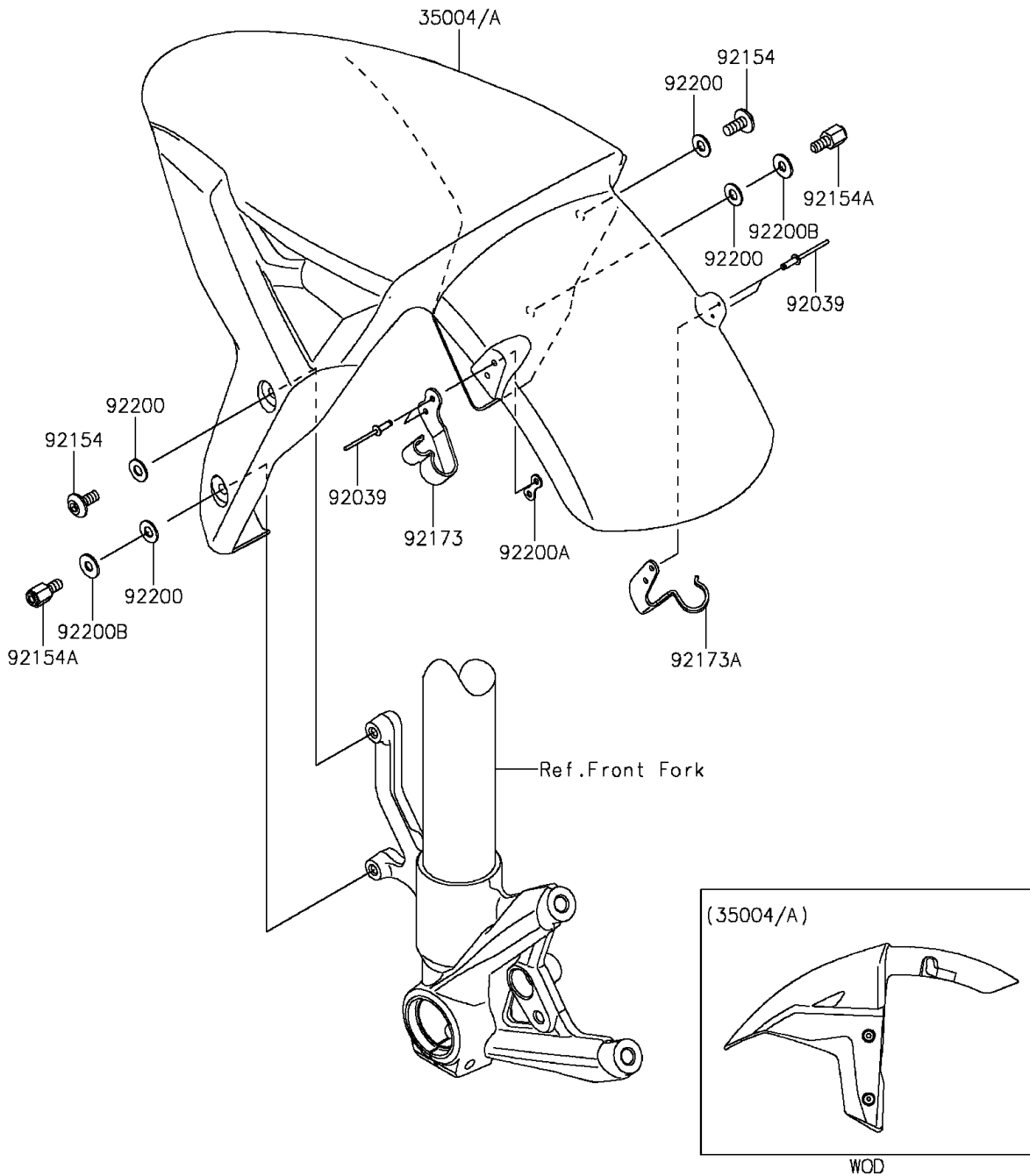


# 2016 NINJA H2™ PARTS DIAGRAM

Front Fender(s)

F2171



## 2016 NINJA H2™ PARTS LIST

### Front Fender(s)

ITEM NAME	PART NUMBER	QUANTITY
FENDER-FRONT,M.C.S.BLACK (Ref # 35004A)	35004-0342-53X	1
RIVET,3.2X9.5 (Ref # 92039)	92039-0752	4
BOLT,SOCKET,6X14 (Ref # 92154)	92154-0745	2
BOLT,6MM (Ref # 92154A)	92154-0746	2
CLAMP,FENDER,LH (Ref # 92173)	92173-1376	1
CLAMP,FENDER,RH (Ref # 92173A)	92173-1481	1
WASHER,6.5X14X1 (Ref # 92200)	92200-1388	4
WASHER (Ref # 92200A)	92200-1757	1
WASHER,6.2X15X1.2 (Ref # 92200B)	92200-1762	2