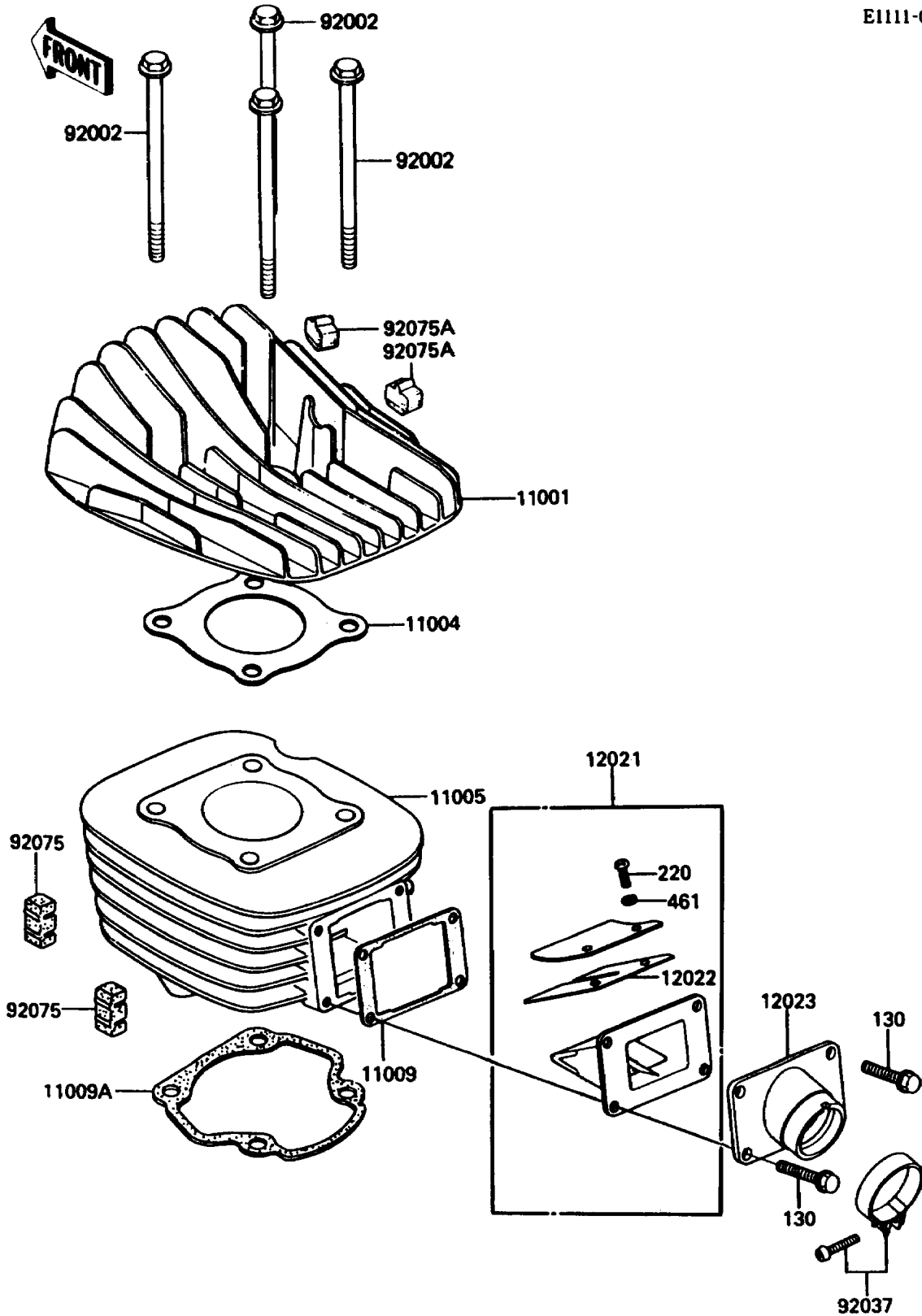


# 1986 KDX80 PARTS DIAGRAM

Cylinder Head/Cylinder

E1111-0099



## 1986 KDX80 PARTS LIST

### Cylinder Head/Cylinder

| ITEM NAME                                  | PART NUMBER | QUANTITY |
|--|-------------|----------|
| HEAD-CYLINDER (Ref # 11001)                | 11001-1242  | 1        |
| GASKET-HEAD,CYLINDER (Ref # 11004)         | 11004-1031  | 1        |
| CYLINDER-ENGINE,ELECTRO-FUSE (Ref # 11005) | 11005-1229  | 1        |
| GASKET,REED VALVE (Ref # 11009)            | 11009-1109  | 1        |
| GASKET,CYLINDER BASE (Ref # 11009A)        | 11009-1310  | 1        |
| VALVE-ASSY-REED (Ref # 12021)              | 12021-1020  | 1        |
| VALVE-REED (Ref # 12022)                   | 12022-1011  | 2        |
| HOLDER-VALVE (Ref # 12023)                 | 12023-1014  | 1        |
| BOLT,8X120 (Ref # 92002)                   | 92002-1332  | 4        |
| CLAMP (Ref # 92037)                        | 92037-1305  | 1        |
| DAMPER,CYLINDER (Ref # 92075)              | 92075-1229  | 4        |
| DAMPER (Ref # 92075A)                      | 92075-304   | 4        |
| BOLT-FLANGED,6X20 (Ref # 130)              | 130G0620    | 4        |
| SCREW-PAN-CROS (Ref # 220)                 | 220B0308    | 4        |
| WASHER-SPRING,3MM (Ref # 461)              | 461F0300    | 4        |