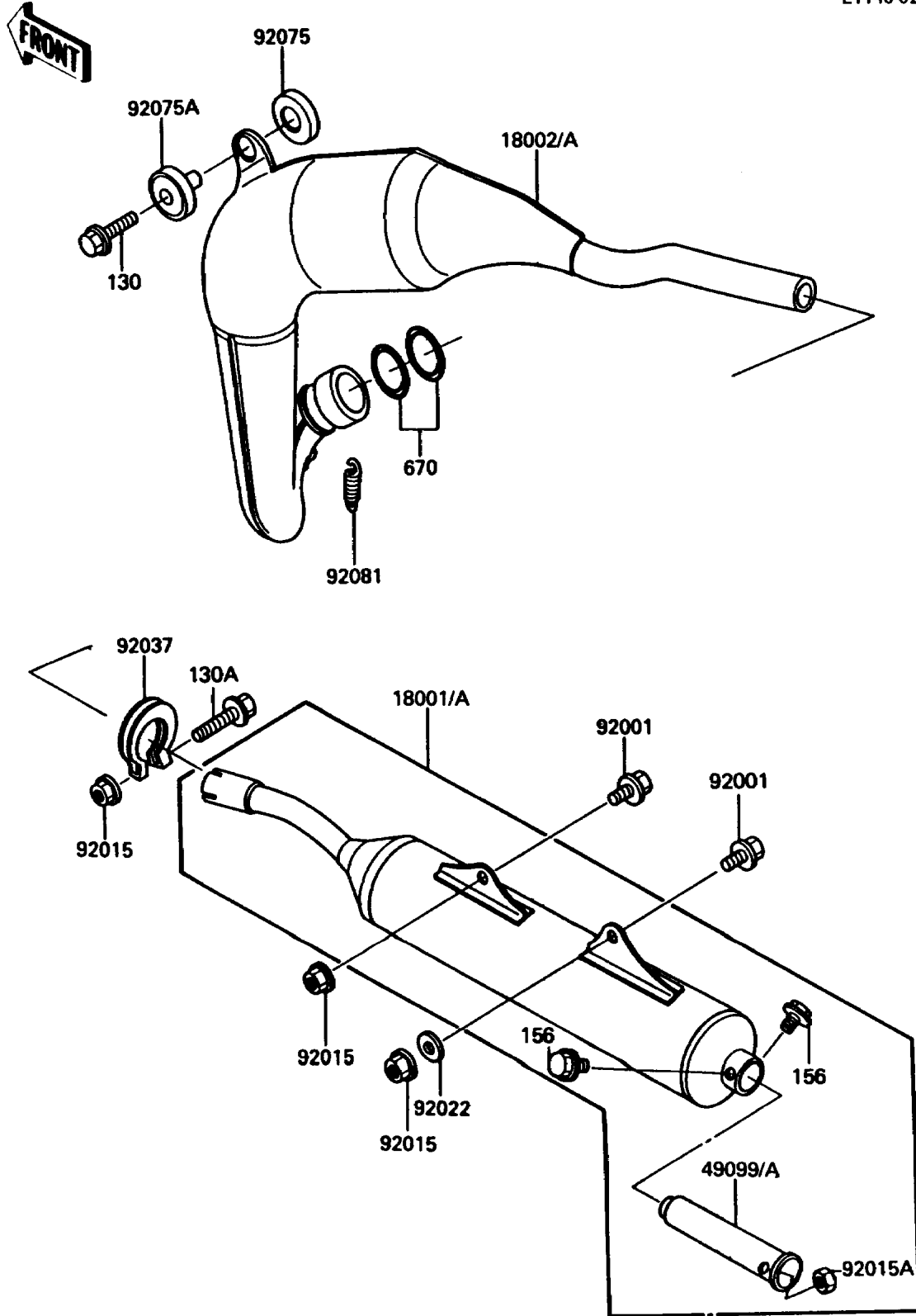


# 1988 KDX80 PARTS DIAGRAM

Muffler(s)

E1140-0213



# 1988 KDX80 PARTS LIST

## Muffler(s)

ITEM NAME	PART NUMBER	QUANTITY
MUFFLER (Ref # 18001A)	18001-1636	1
BODY-COMP-MUFFLER (Ref # 18002A)	18002-1700	1
BAFFLE-PIPE MUFFLER (Ref # 49099A)	49099-1226	1
BOLT,6X14 (Ref # 92001)	92001-1926	2
NUT,FLANGED,6MM (Ref # 92015)	92015-1078	3
NUT,LOCK,6MM (Ref # 92015A)	92019-008	2
WASHER,6.5X20X1.6 (Ref # 92022)	92022-125	1
CLAMP,MUFFLER (Ref # 92037)	92037-1466	1
DAMPER,9.3X28X7 (Ref # 92075)	92075-1571	1
DAMPER,MUFFLER (Ref # 92075A)	92075-1572	1
SPRING,MUFFLER CONNECTING (Ref # 92081)	18071-003	1
BOLT-FLANGED,6X25 (Ref # 130)	130G0625	1
BOLT-FLANGED,6X30 (Ref # 130A)	130G0630	1
BOLT-WP (Ref # 156)	156B0610	2
O RING,36MM (Ref # 670)	670E3036	2