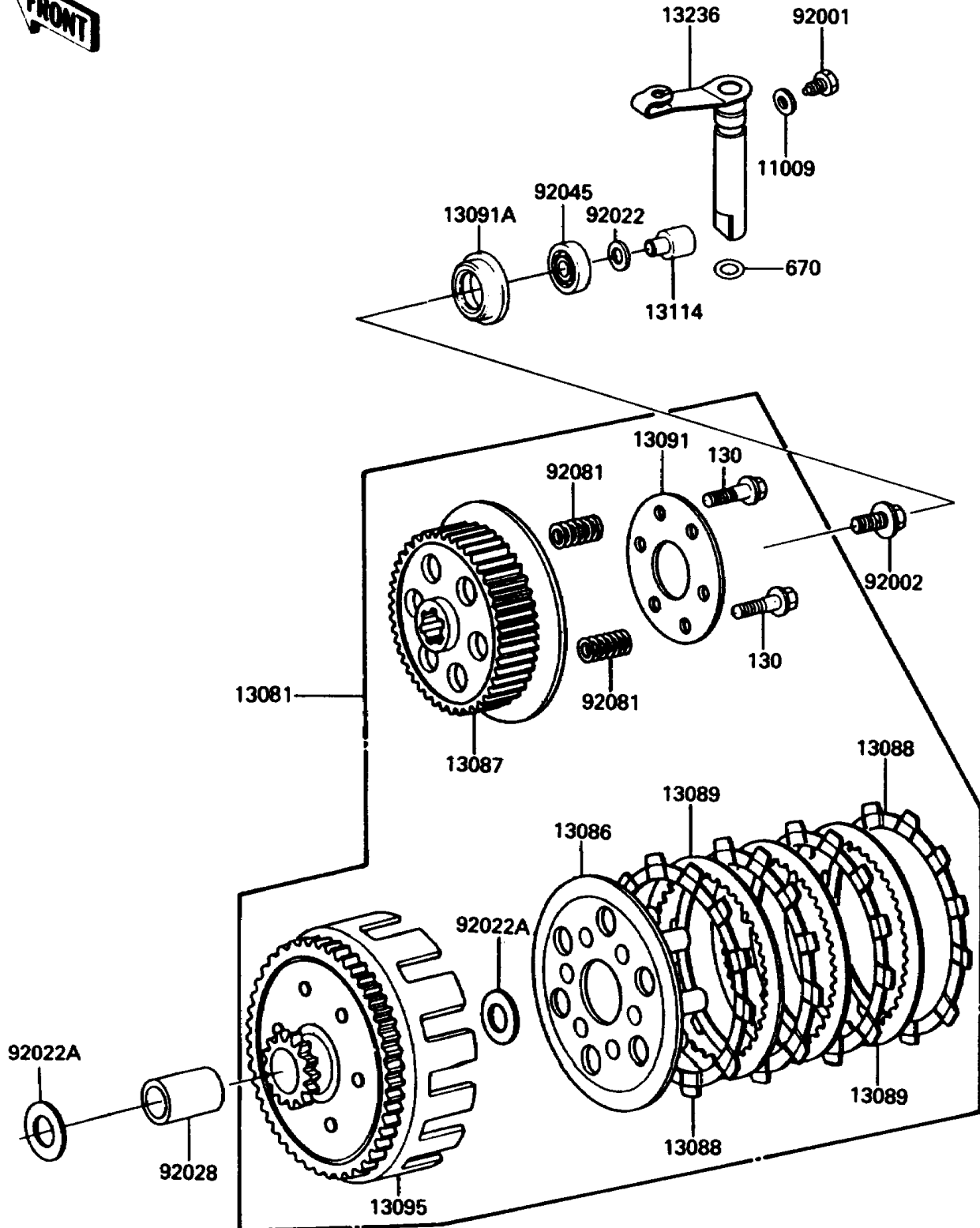


# 1987 KDX80 PARTS DIAGRAM

Clutch

E1350-0059



# 1987 KDX80 PARTS LIST

## Clutch

ITEM NAME	PART NUMBER	QUANTITY
GASKET,6X14X0.8 (Ref # 11009)	92065-092	1
CLUTCH-ASSY (Ref # 13081)	13081-1158	1
WHEEL-CLUTCH (Ref # 13086)	13086-1002	1
HUB-CLUTCH (Ref # 13087)	13087-1051	1
PLATE-FRICTION (Ref # 13088)	13088-1010	5
PLATE-CLUTCH (Ref # 13089)	13089-005	4
HOLDER,CLUTCH SPRING (Ref # 13091)	13091-003	1
HOLDER,CLUTCH PUSHER (Ref # 13091A)	13091-1133	1
HOUSING-COMP-CLUTCH (Ref # 13095)	13095-1042	1
PUSHER-CLUTCH (Ref # 13114)	13114-1008	1
LEVER-COMP,CLUTCH RELEASE (Ref # 13236)	13236-1108	1
BOLT,CLUTCH RELEASE (Ref # 92001)	92003-130	1
BOLT,10X30 (Ref # 92002)	92002-1697	1
WASHER,7X12.5X0.8 (Ref # 92022)	92022-1290	AR
WASHER,17.3X28X1 (Ref # 92022A)	92022-255	2
BUSHING,17X22X21.1 (Ref # 92028)	92028-1149	1
BEARING-BALL,#627 (Ref # 92045)	92045-026	1
SPRING,CLUTCH (Ref # 92081)	92081-1175	6
BOLT-FLANGED (Ref # 130)	130P0520	6
O RING,9MM (Ref # 670)	670B1509	1