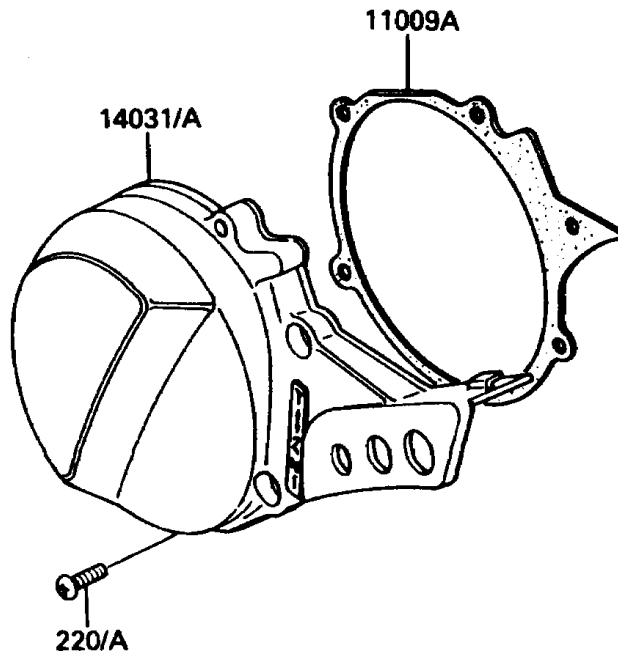
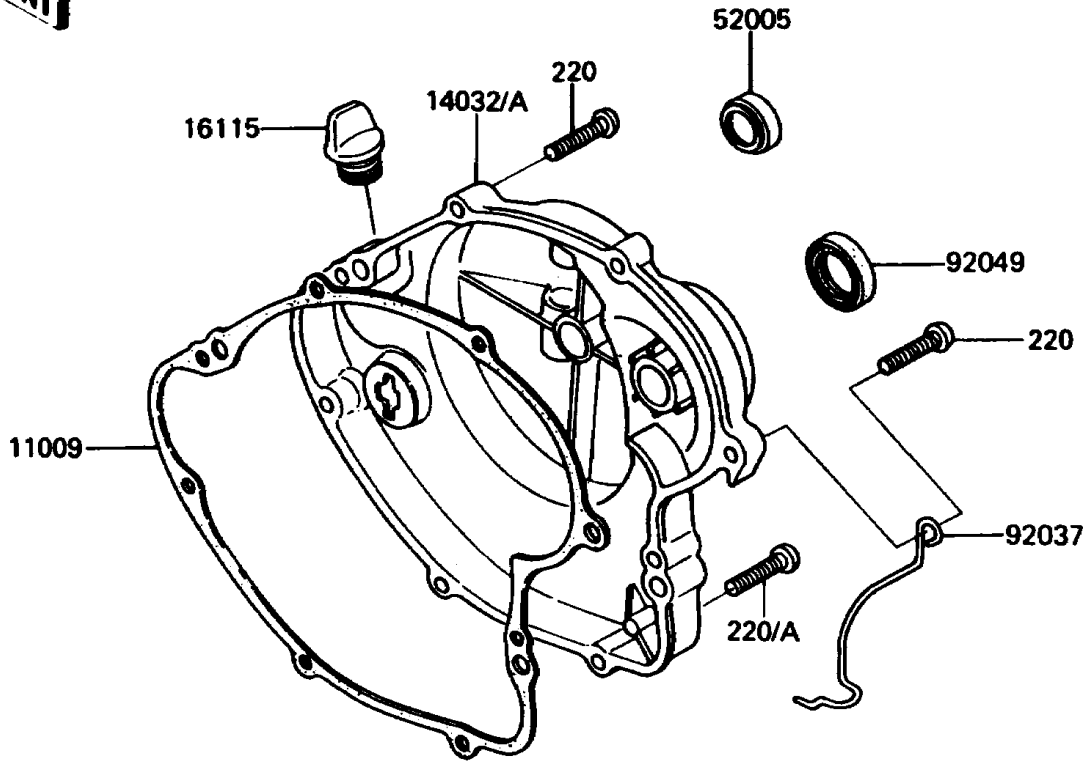


1988 KDX80 PARTS DIAGRAM

Engine Cover(s)

E1431-0017



1988 KDX80 PARTS LIST

Engine Cover(s)

ITEM NAME	PART NUMBER	QUANTITY
GASKET,CLUTCH COVER (Ref # 11009)	11009-1202	1
GASKET,GENERATOR COVER (Ref # 11009A)	11009-1536	1
COVER-GENERATOR (Ref # 14031A)	14031-1215	1
COVER-CLUTCH (Ref # 14032A)	14032-1247	1
CAP-OIL FILLER (Ref # 16115)	16115-018	1
GAUGE,OIL LEVEL (Ref # 52005)	52005-1055	1
CLAMP,TUBE (Ref # 92037)	92037-1236	1
SEAL-OIL,SB16244 (Ref # 92049)	92049-002	1
SCREW-PAN-CROS,6X25 (Ref # 220)	220B0625	14