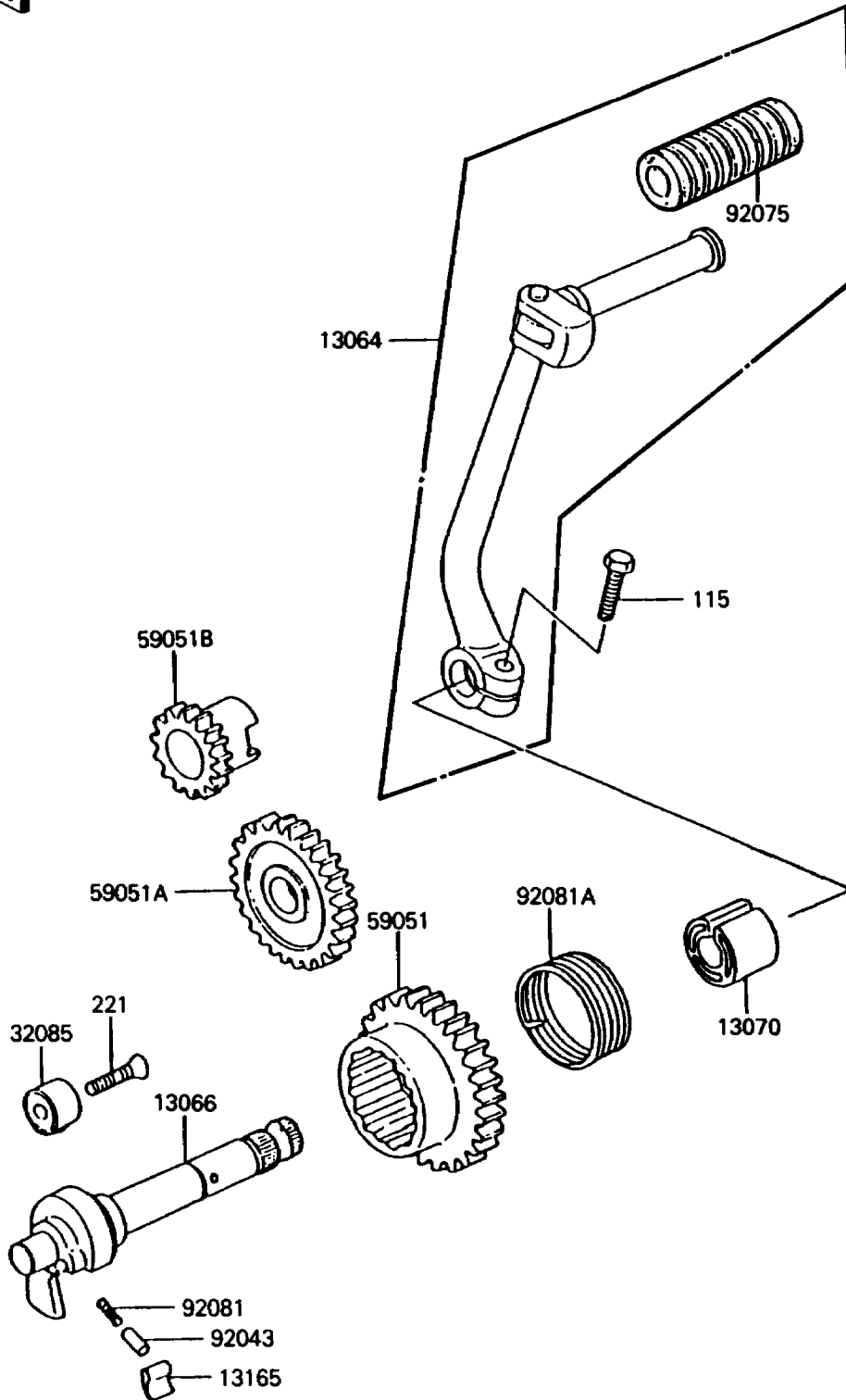


1991 KE100 PARTS DIAGRAM

Kickstarter Mechanism

E1340-0013



1991 KE100 PARTS LIST

Kickstarter Mechanism

ITEM NAME	PART NUMBER	QUANTITY
LEVER-ASSY-KICK,PEDAL (Ref # 13064)	13064-1039	1
SHAFT-KICK (Ref # 13066)	13066-1024	1
GUIDE,KICK SPRING (Ref # 13070)	13070-1130	1
PAWL,KICKSTARTER (Ref # 13165)	13069-005	1
STOPPER,KICKSTARTER (Ref # 32085)	13072-003	1
GEAR-SPUR,KICKSTARTER,35T (Ref # 59051)	13068-007	1
GEAR-SPUR,KICKSTARTER.IDLE,30T (Ref # 59051A)	13073-004	1
GEAR-SPUR,KICKSTARTER PINION (Ref # 59051B)	13075-004	1
PIN,DOWEL,3.9X10.8 (Ref # 92043)	92043-013	1
DAMPER,PEDAL (Ref # 92075)	13063-002	1
SPRING,KICK PAWL (Ref # 92081)	92081-014	1
SPRING,KICKSTARTER RETURN (Ref # 92081A)	92083-004	1
BOLT-SMALL-UPSET (Ref # 115)	115J0825	1
SCREW-CSK-CROS,6X20 (Ref # 221)	221B0620	1