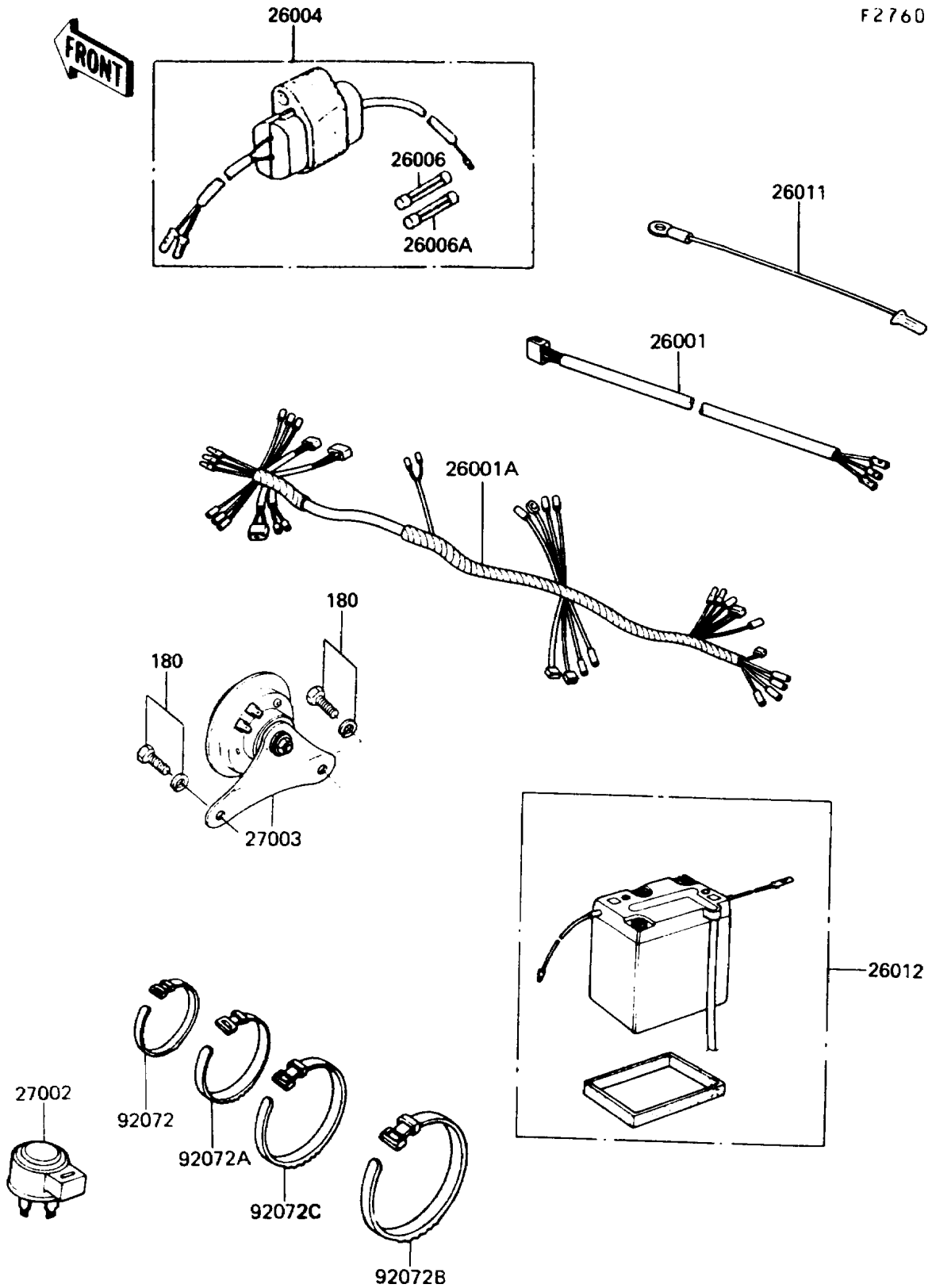


# 1987 KE100 PARTS DIAGRAM

Electrical Equipment



F2760

# 1987 KE100 PARTS LIST

## Electrical Equipment

ITEM NAME	PART NUMBER	QUANTITY
HARNESS,TAIL LAMP (Ref # 26001)	26001-1007	1
HARNESS,MAIN (Ref # 26001A)	26001-1275	1
FUSE-ASSY (Ref # 26004)	26004-1010	1
FUSE,10A,L=30 (Ref # 26006)	26006-1002	1
FUSE,15A,L=30 (Ref # 26006A)	26006-1003	1
WIRE-LEAD (Ref # 26011)	26011-093	1
BATTERY,6V 6AH,6N6-1D-2(K1) (Ref # 26012)	26012-1193	1
RELAY-ASSY,TURN SIGNAL (Ref # 27002)	27002-013	1
HORN (Ref # 27003)	27003-1052	1
BAND,L=123 (Ref # 92072)	92072-030	6
BAND,L=149 (Ref # 92072A)	92072-031	2
BAND,L=218 (Ref # 92072B)	92072-032	3
BAND,L=186 (Ref # 92072C)	92072-056	1
BOLT-UPSET-WS,6X25 (Ref # 180)	180C0625	2