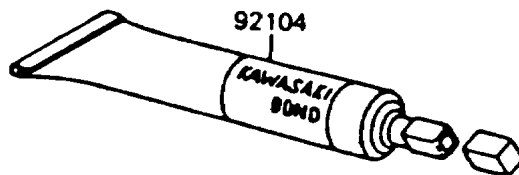
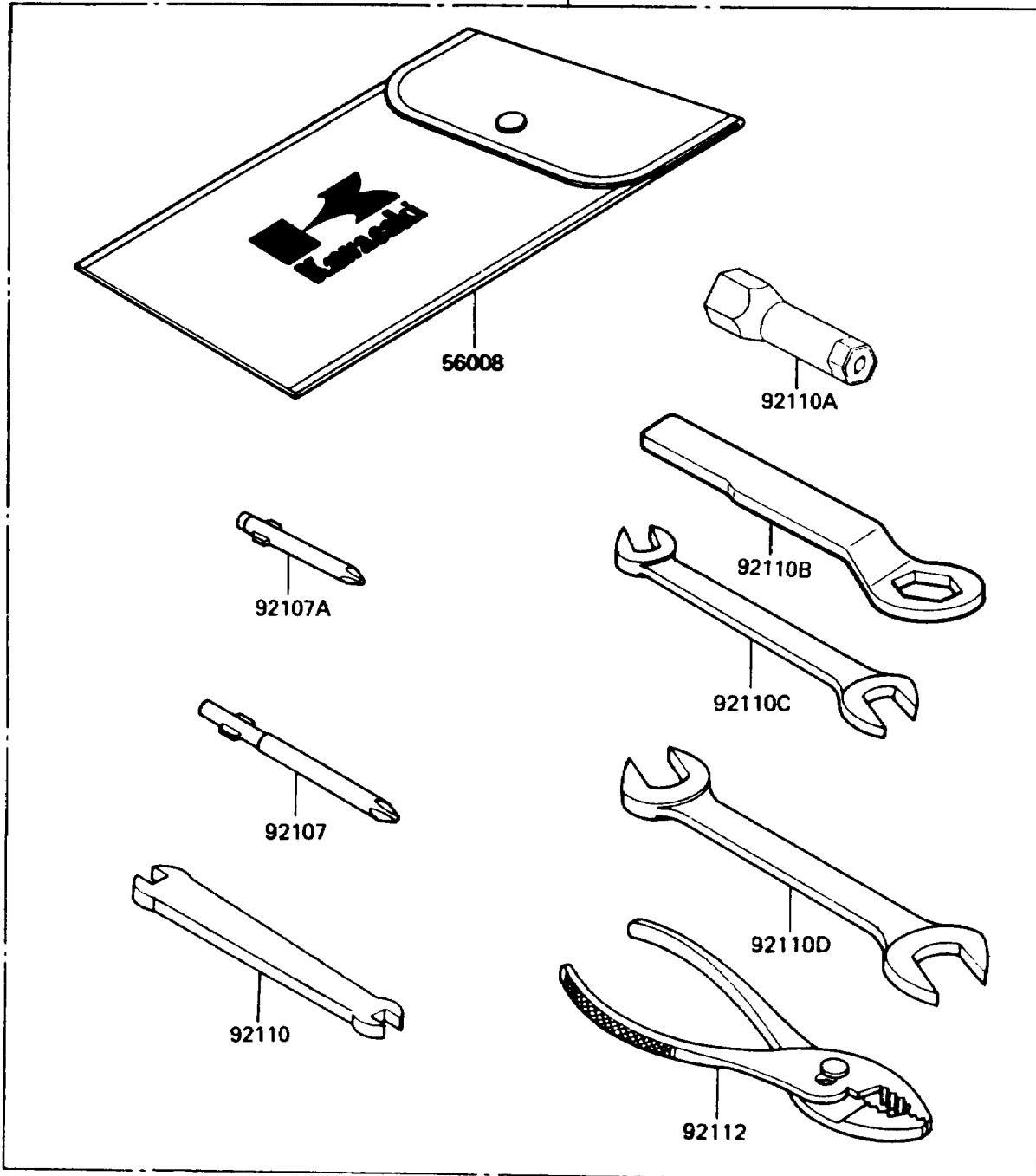


# 1990 KE100 PARTS DIAGRAM

Tool

56007

F2810



## 1990 KE100 PARTS LIST

### Tool

ITEM NAME	PART NUMBER	QUANTITY
TOOLKIT (Ref # 56007)	56007-1280	1
BAG,TOOL (Ref # 56008)	56008-1007	1
GASKET-LIQUID,TUBE,100G,SILVER (Ref # 92104)	92104-002	1
TOOL-DRIVER,#3PHILLIPS (Ref # 92107)	92107-005	1
TOOL-DRIVER,#2PHILLIPS (Ref # 92107A)	92107-1053	1
TOOL-WRENCH,SPOKE,5.1X5.8 (Ref # 92110)	92110-1044	1
TOOL-WRENCH,BOX,21MM (Ref # 92110A)	92110-1113	1
TOOL-WRENCH,BOX END,22MM (Ref # 92110B)	92110-1148	1
TOOL-WRENCH,OPEN END,10X12 (Ref # 92110C)	92110-1152	1
TOOL-WRENCH,OPEN END,14X17 (Ref # 92110D)	92110-1153	1
TOOL-PLIERS (Ref # 92112)	92112-003	1