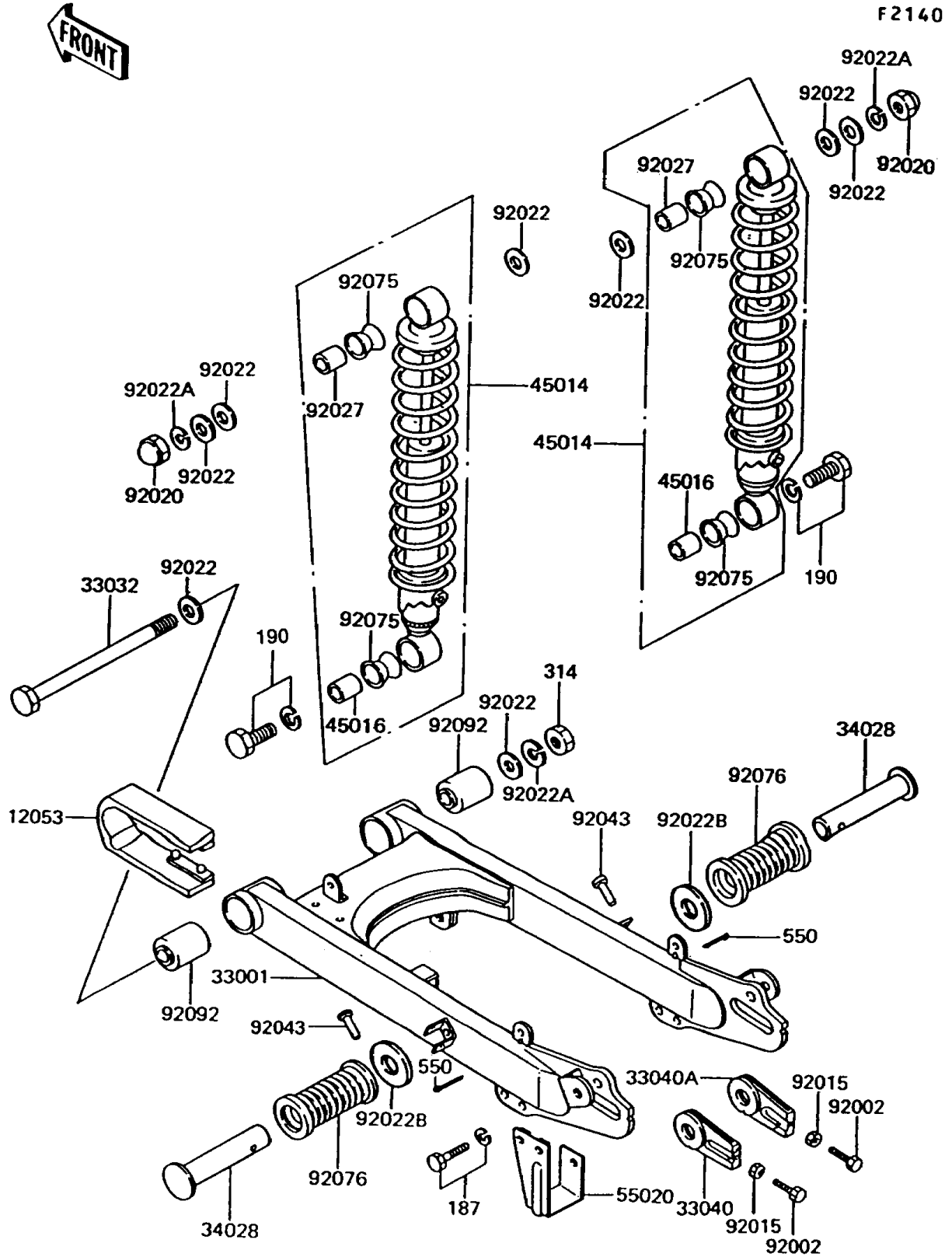


1996 KE100 PARTS DIAGRAM

Swingarm/Shock Absorber



1996 KE100 PARTS LIST

Swingarm/Shock Absorber

| ITEM NAME | PART NUMBER | QUANTITY |
|--|-------------|----------|
| BOLT-UPSET-WSP (Ref # 187) | 187X0616 | 2 |
| BOLT-UPSET-WS (Ref # 190) | 190N1035 | 2 |
| NUT-HEX-FINE (Ref # 314) | 314B1200 | 1 |
| PIN-COTTER,2.0X15 (Ref # 550) | 550D2015 | 2 |
| GUIDE-CHAIN,NYLON (Ref # 12053) | 12053-1066 | 1 |
| ARM-COMP-SWING,SILVER (Ref # 33001) | 33001-1118 | 1 |
| SHAFT-SWING ARM (Ref # 33032) | 33032-034 | 1 |
| ADJUSTER-CHAIN,LH (Ref # 33040) | 33040-045 | 1 |
| ADJUSTER-CHAIN,RH (Ref # 33040A) | 33040-046 | 1 |
| STEP,RR (Ref # 34028) | 34028-009 | 2 |
| SHOCKABSORBER (Ref # 45014) | 45014-1144 | 2 |
| COLLAR,SHOCKABSORBER (Ref # 45016) | 45016-003 | 2 |
| GUARD,CHAIN (Ref # 55020) | 55020-012 | 1 |
| BOLT,CHAIN ADJUSTER,8X50 (Ref # 92002) | 92002-1076 | 2 |
| NUT,8MM (Ref # 92015) | 92015-1364 | 2 |
| NUT,CAP,12MM (Ref # 92020) | 92020-014 | 2 |
| WASHER,12MM (Ref # 92022) | 92022-1538 | 8 |
| WASHER,SPRING,12MM (Ref # 92022A) | 92022-1541 | 3 |
| WASHER,20X30X2.3 (Ref # 92022B) | 92022-1568 | 2 |
| COLLAR,SHOCKABSORBER (Ref # 92027) | 92027-1063 | 2 |
| PIN,6X28 (Ref # 92043) | 92043-1464 | 2 |
| DAMPER,SHOCKABSORBER (Ref # 92075) | 92075-1020 | 4 |
| DAMPER (Ref # 92076) | 92076-020 | 2 |
| BUSHING-RUBBER (Ref # 92092) | 92092-005 | 2 |