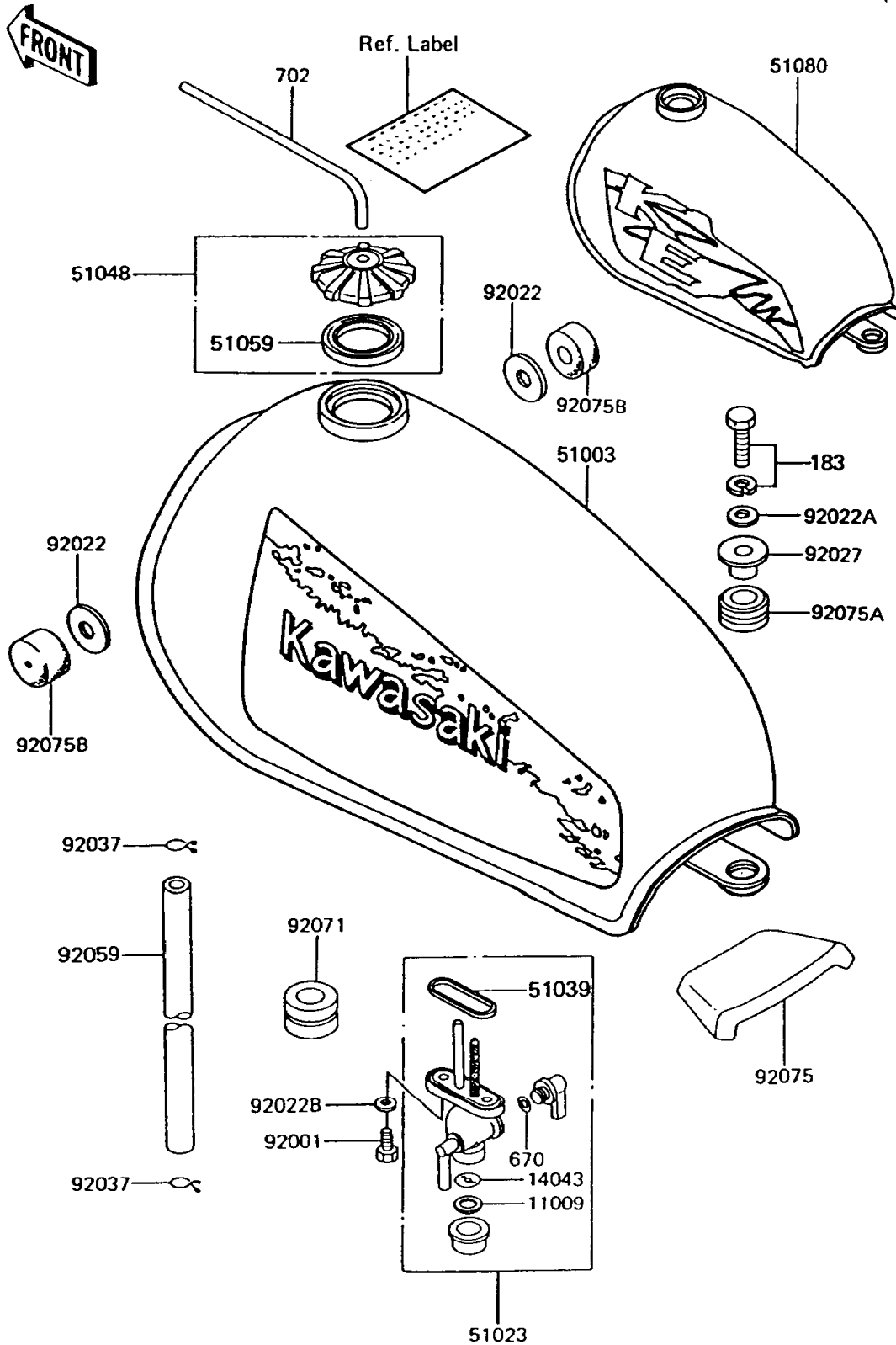


1994 KE100 PARTS DIAGRAM

Fuel Tank(KE100-B11/B12/B13/B14)

F2410



1994 KE100 PARTS LIST

Fuel Tank(KE100-B11/B12/B13/B14)

| ITEM NAME | PART NUMBER | QUANTITY |
|--------------------------------------|---------------|----------|
| BOLT-UPSET-WS-SMALL (Ref # 183) | 183B0835 | 1 |
| O RING,10MM (Ref # 670) | 670B2010 | 1 |
| TUBE-RUBBER,5X300 (Ref # 702) | 702A05300 | 1 |
| GASKET,FUEL TAP CUP (Ref # 11009) | 11009-1013 | 1 |
| FILTER,FUEL TAP (Ref # 14043) | 14043-1002 | 1 |
| TAP-ASSY,FUEL (Ref # 51023) | 51023-1020 | 1 |
| RING,TAP FLANGED (Ref # 51039) | 51039-003 | 1 |
| CAP-ASSY-TANK,FUEL (Ref # 51048) | 51048-1004 | 1 |
| GASKET,FUEL TANK CAP (Ref # 51059) | 51059-006 | 1 |
| TANK-COMP-FUEL,L.GREEN (Ref # 51080) | 51080-5077-7F | 1 |
| BOLT,6X20 (Ref # 92001) | 92001-1091 | 2 |
| WASHER,10.5X26X2.3 (Ref # 92022) | 92022-044 | 2 |
| WASHER,8.5X26X1.6 (Ref # 92022A) | 92022-092 | 1 |
| WASHER,6.2X11X1.5 (Ref # 92022B) | 92022-183 | 2 |
| COLLAR,12.7X15.9X19 (Ref # 92027) | 92027-223 | 1 |
| CLAMP,TUBE (Ref # 92037) | 92037-010 | 2 |
| TUBE,4.5X9X310 (Ref # 92059) | 92059-063 | 1 |
| GROMMET,PIPE (Ref # 92071) | 92071-038 | 1 |
| DAMPER,FUEL TANK (Ref # 92075) | 92075-106 | 1 |
| DAMPER (Ref # 92075A) | 92075-1086 | 1 |
| DAMPER,FUEL TANK (Ref # 92075B) | 92075-125 | 2 |