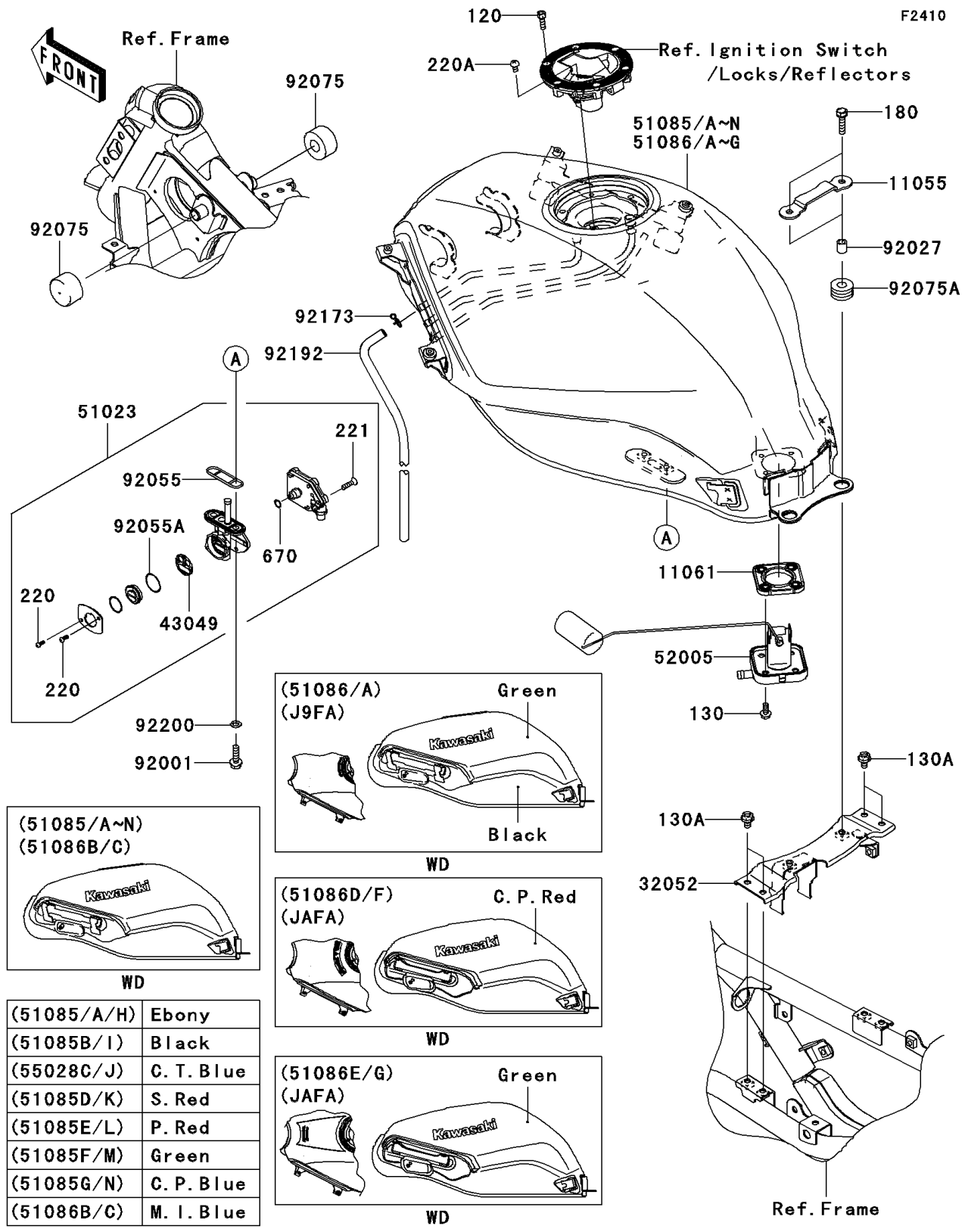


2008 Ninja® 250R PARTS DIAGRAM

Fuel Tank



(51085/A/H)	Ebony
(51085B/I)	Black
(55028C/J)	C. T. Blue
(51085D/K)	S. Red
(51085E/L)	P. Red
(51085F/M)	Green
(51085G/N)	C. P. Blue
(51086B/C)	M. I. Blue

2008 Ninja® 250R PARTS LIST

Fuel Tank

ITEM NAME	PART NUMBER	QUANTITY
BRACKET (Ref # 11055)	11055-0897	1
GASKET,FUEL GAUGE (Ref # 11061)	11061-0279	1
BRACKET-TANK,RR (Ref # 32052)	32052-0083	1
PACKING,TAP VALVE (Ref # 43049)	43049-1091	1
TAP-ASSY,FUEL (Ref # 51023)	51023-0032	1
BOLT-SOCKET,5X16 (Ref # 120)	120CB0516	6
BOLT-FLANGED,5X12 (Ref # 130)	130BA0512	4
BOLT-FLANGED,6X10 (Ref # 130A)	130BA0610	4
BOLT-UPSET-WS,6X25 (Ref # 180)	180BB0625	2
SCREW-PAN-CROS,3X8 (Ref # 220)	220AA0308	2
SCREW-PAN-CROSS,5X8 (Ref # 220A)	220AB0508	1
SCREW-CSK-CROS,4X14 (Ref # 221)	221AA0414	5
O RING,3.8X1.9 (Ref # 670)	670E1504	1
GAUGE,FUEL (Ref # 52005)	52005-0082	1
BOLT,6X20 (Ref # 92001)	92001-1091	2
COLLAR,6.8X10X11.5 (Ref # 92027)	92027-1210	2
RING-O,FUEL TAP PACKING (Ref # 92055)	92055-1112	1
RING-O,TAP LEVER (Ref # 92055A)	92055-1419	1
DAMPER,FUEL TANK,FR (Ref # 92075)	92075-1115	2
DAMPER (Ref # 92075A)	92075-1690	2
CLAMP (Ref # 92173)	92173-0049	1
TUBE (Ref # 92192)	92192-0671	1
WASHER,6.5X11.5X0.8 (Ref # 92200)	92200-0117	2
TANK-COMP-FUEL,EBONY (Ref # 51085A)	51085-5438-IG	1
TANK-COMP-FUEL,P.RED (Ref # 51085E)	51085-5439-15I	1
TANK-COMP-FUEL,L.GREEN (Ref # 51085F)	51085-5439-777	1
TANK-COMP-FUEL,C.P.BLUE (Ref # 51085G)	51085-5440-15D	1
TANK-COMP-FUEL,EBONY (Ref # 51085H)	51085-5441-IG	1
TANK-COMP-FUEL,P.RED (Ref # 51085L)	51085-5442-15I	1

2008 Ninja® 250R PARTS LIST

Fuel Tank

ITEM NAME	PART NUMBER	QUANTITY
TANK-COMP-FUEL,L.GREEN (Ref # 51085M)	51085-5442-777	1
TANK-COMP-FUEL,C.P.BLUE (Ref # 51085N)	51085-5443-15D	1