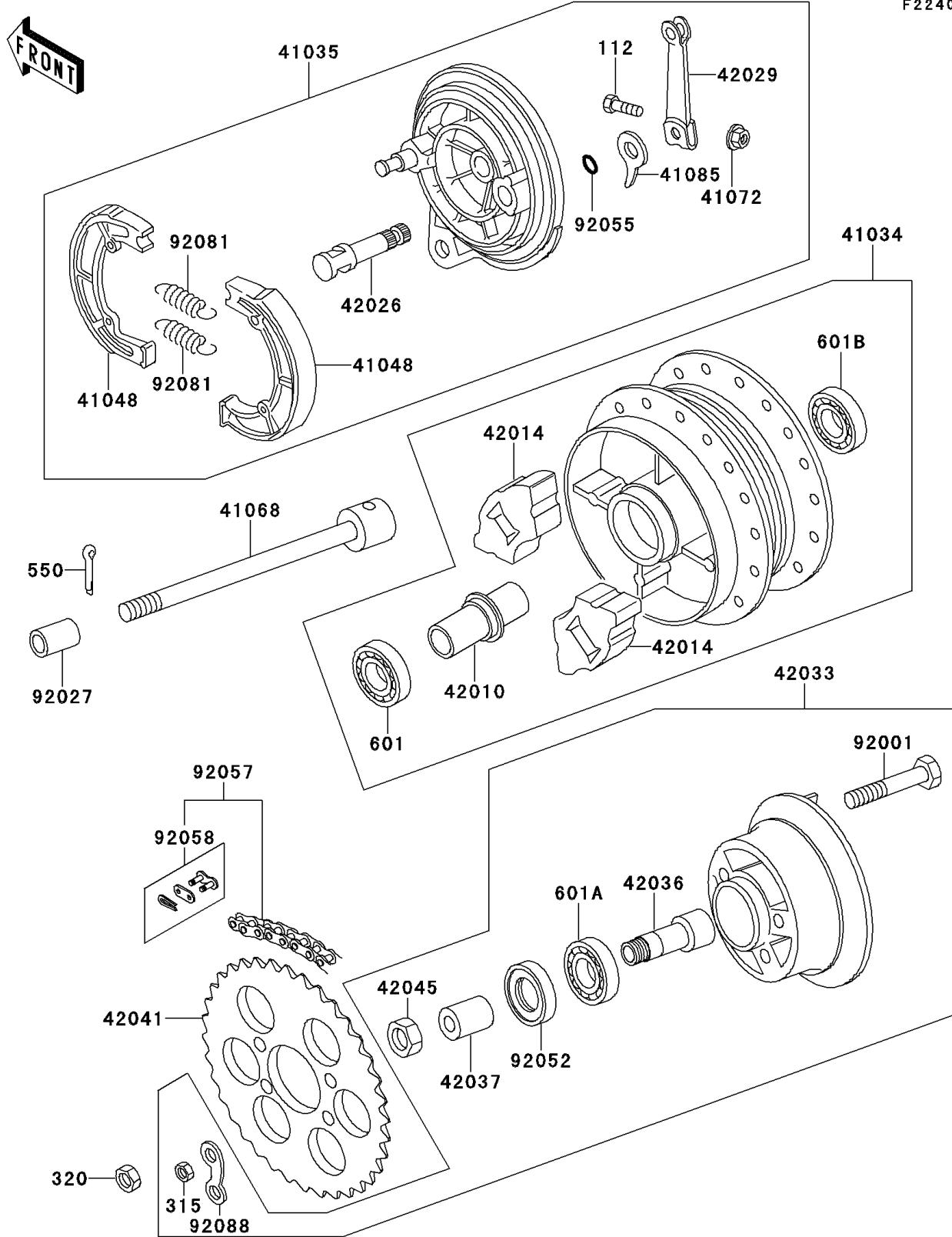


# 2000 KE100 PARTS DIAGRAM

Rear Hub

F2240



## 2000 KE100 PARTS LIST

### Rear Hub

| ITEM NAME                             | PART NUMBER | QUANTITY |
|---------------------------------------|-------------|----------|
| BOLT-UPSET (Ref # 112)                | 112G0630    | 1        |
| NUT-HEX-FINE,10MM (Ref # 315)         | 315B1000    | 4        |
| NUT-CASTLE,10MM (Ref # 320)           | 320B1000    | 1        |
| PIN-COTTER,2.5X25 (Ref # 550)         | 550D2525    | 1        |
| BEARING-BALL,#6201G (Ref # 601)       | 601B6201G   | 1        |
| BEARING-BALL,#6203G (Ref # 601A)      | 601B6203G   | 1        |
| BEARING-BALL,#6301UG (Ref # 601B)     | 601B6301UG  | 1        |
| DRUM-ASSY,RR (Ref # 41034)            | 41034-1048  | 1        |
| PANEL-ASSY-BRAKE,RR (Ref # 41035)     | 41035-1292  | 1        |
| SHOE-BRAKE (Ref # 41048)              | 41048-1085  | 2        |
| AXLE,RR (Ref # 41068)                 | 41068-1360  | 1        |
| NUT,6MM (Ref # 41072)                 | 41072-007   | 1        |
| INDICATOR,BRAKE SHOE (Ref # 41085)    | 41085-003   | 1        |
| COLLAR,L=58 (Ref # 42010)             | 42010-005   | 1        |
| DAMPER,RR HUB SHOCK (Ref # 42014)     | 42014-016   | 4        |
| CAM-BRAKE (Ref # 42026)               | 42026-018   | 1        |
| LEVER-BRAKE CAM (Ref # 42029)         | 42029-020   | 1        |
| COUPLING-ASSY (Ref # 42033)           | 42033-1042  | 1        |
| SLEEVE,RR HUB COUPLING (Ref # 42036)  | 42036-013   | 1        |
| COLLAR,17X25X12.5 (Ref # 42037)       | 42037-003   | 1        |
| SPROCKET-HUB,40T (Ref # 42041)        | 42041-1095  | 1        |
| NUT,16MM (Ref # 42045)                | 42045-004   | 1        |
| BOLT,HUB SPROCKET,10X36 (Ref # 92001) | 92001-082   | 4        |
| COLLAR,12.2X22X28.5 (Ref # 92027)     | 92027-1477  | 1        |
| SEAL-OIL,COUPLING (Ref # 92052)       | 92052-003   | 1        |
| RING-O,BRAKE CAM (Ref # 92055)        | 92055-004   | 1        |
| CHAIN,DRIVE,EK428GX112L (Ref # 92057) | 92057-1099  | 1        |
| JOINT-CHAIN,EK428-G (Ref # 92058)     | 92058-1014  | 1        |
| SPRING,BRAKE SHOE (Ref # 92081)       | 92081-1766  | 2        |

## 2000 KE100 PARTS LIST

Rear Hub

| ITEM NAME                 | PART NUMBER | QUANTITY |
|---------------------------|-------------|----------|
| WASHER,LOCK (Ref # 92088) | 92088-011   | 2        |