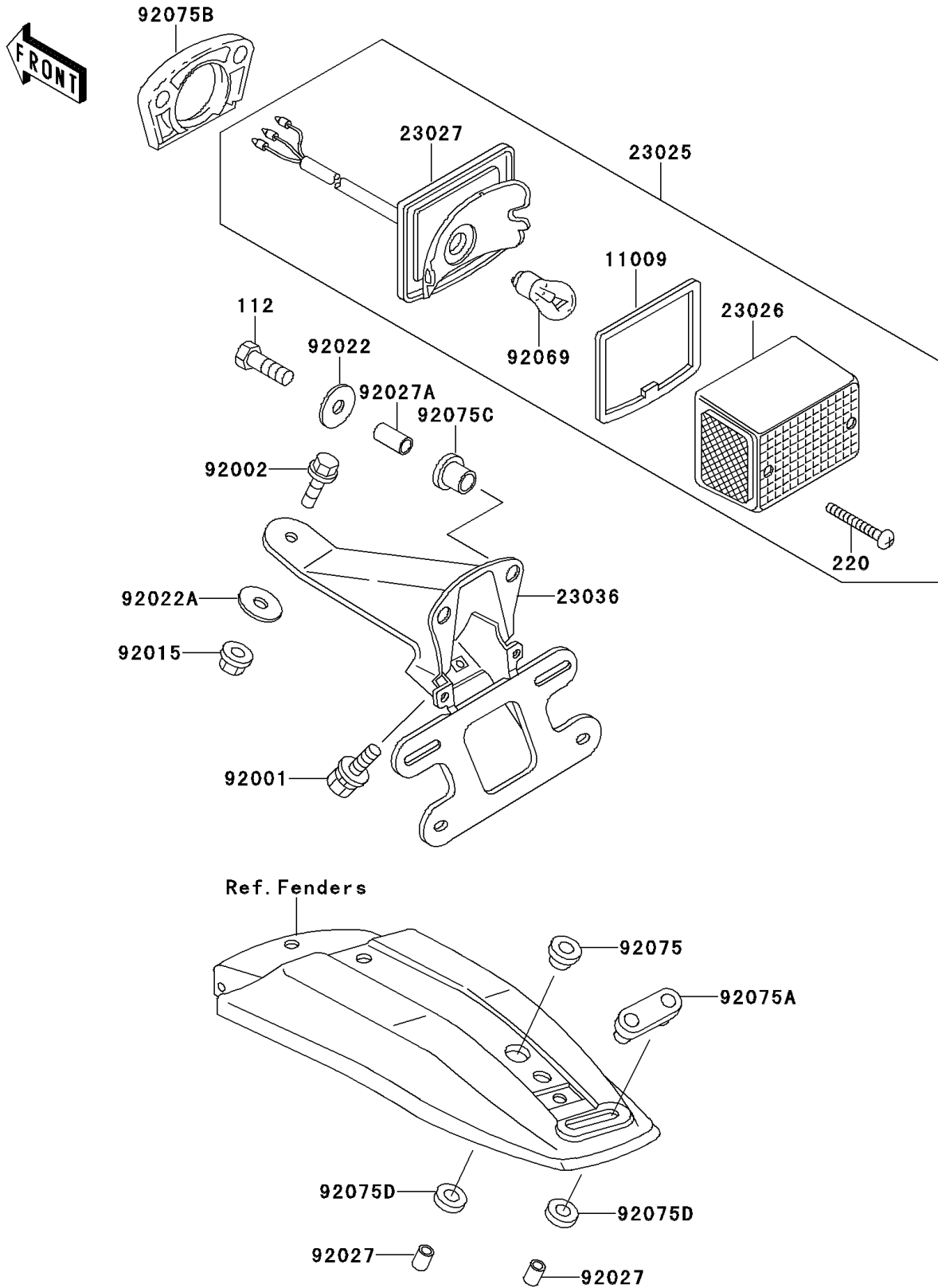


2000 KE100 PARTS DIAGRAM

Taillight(s)

F2720



2000 KE100 PARTS LIST

Taillight(s)

| ITEM NAME | PART NUMBER | QUANTITY |
|-------------------------------------|-------------|----------|
| BOLT-UPSET,6X25 (Ref # 112) | 112B0625 | 2 |
| SCREW-PAN-CROS (Ref # 220) | 220B0440 | 2 |
| GASKET,TAIL LAMP LENS (Ref # 11009) | 11009-1078 | 1 |
| LAMP-TAIL (Ref # 23025) | 23025-1032 | 1 |
| LENS,TAIL LAMP (Ref # 23026) | 23026-1003 | 1 |
| BODY-COMP-TAIL LAMP (Ref # 23027) | 23027-1020 | 1 |
| BRACKET-TAIL LAMP (Ref # 23036) | 23036-1010 | 1 |
| BOLT (Ref # 92001) | 92001-1768 | 2 |
| BOLT,6X28 (Ref # 92002) | 92002-1125 | 1 |
| NUT,FLANGED,6MM (Ref # 92015) | 92015-1367 | 1 |
| WASHER,6.5X20X1.6 (Ref # 92022) | 92022-125 | 2 |
| WASHER,6.5X20X1.6 (Ref # 92022A) | 92022-1557 | 1 |
| COLLAR,6.8X10X14.5 (Ref # 92027) | 92027-156 | 3 |
| COLLAR,6.1X8X15.7 (Ref # 92027A) | 92027-1819 | 2 |
| BULB,6V 32/3CP (Ref # 92069) | 92069-074 | 1 |
| DAMPER,TAIL LAMP (Ref # 92075) | 92075-1004 | 1 |
| DAMPER,TAIL LAMP (Ref # 92075A) | 92075-1005 | 1 |
| DAMPER,TAIL LAMP (Ref # 92075B) | 92075-1094 | 1 |
| DAMPER (Ref # 92075C) | 92075-1095 | 2 |
| DAMPER,RUBBER (Ref # 92075D) | 92075-310 | 3 |