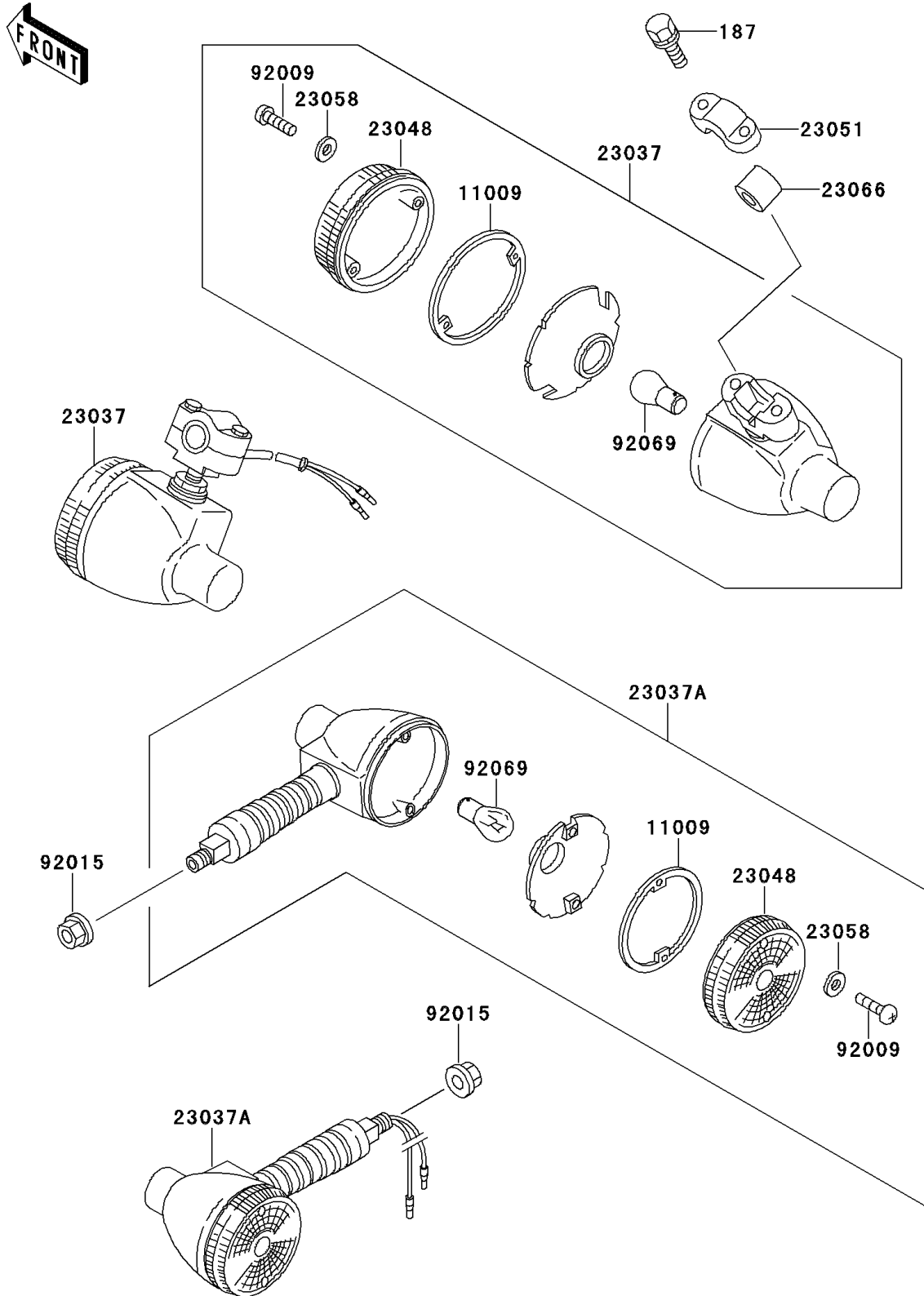


2000 KE100 PARTS DIAGRAM

Turn Signals

F2730



2000 KE100 PARTS LIST

Turn Signals

ITEM NAME	PART NUMBER	QUANTITY
BOLT-UPSET-WSP (Ref # 187)	187B0530	4
GASKET,TURN SIGNAL LAMP LENS (Ref # 11009)	11009-1128	4
LAMP-ASSY-SIGNAL,FR (Ref # 23037)	23037-1039	2
LAMP-ASSY-SIGNAL,RR (Ref # 23037A)	23037-1087	2
LENS-SIGNAL LAMP (Ref # 23048)	23048-1076	4
BRACKET-SIGNAL LAMP (Ref # 23051)	23051-1018	2
WASHER,PLAIN,4MM (Ref # 23058)	23058-002	8
DAMPER (Ref # 23066)	23066-003	2
SCREW,TAPPING,4X30 (Ref # 92009)	92009-1056	8
NUT,FLANGED,10MM (Ref # 92015)	92015-1428	2
BULB,6V 21CP (Ref # 92069)	92069-056	4