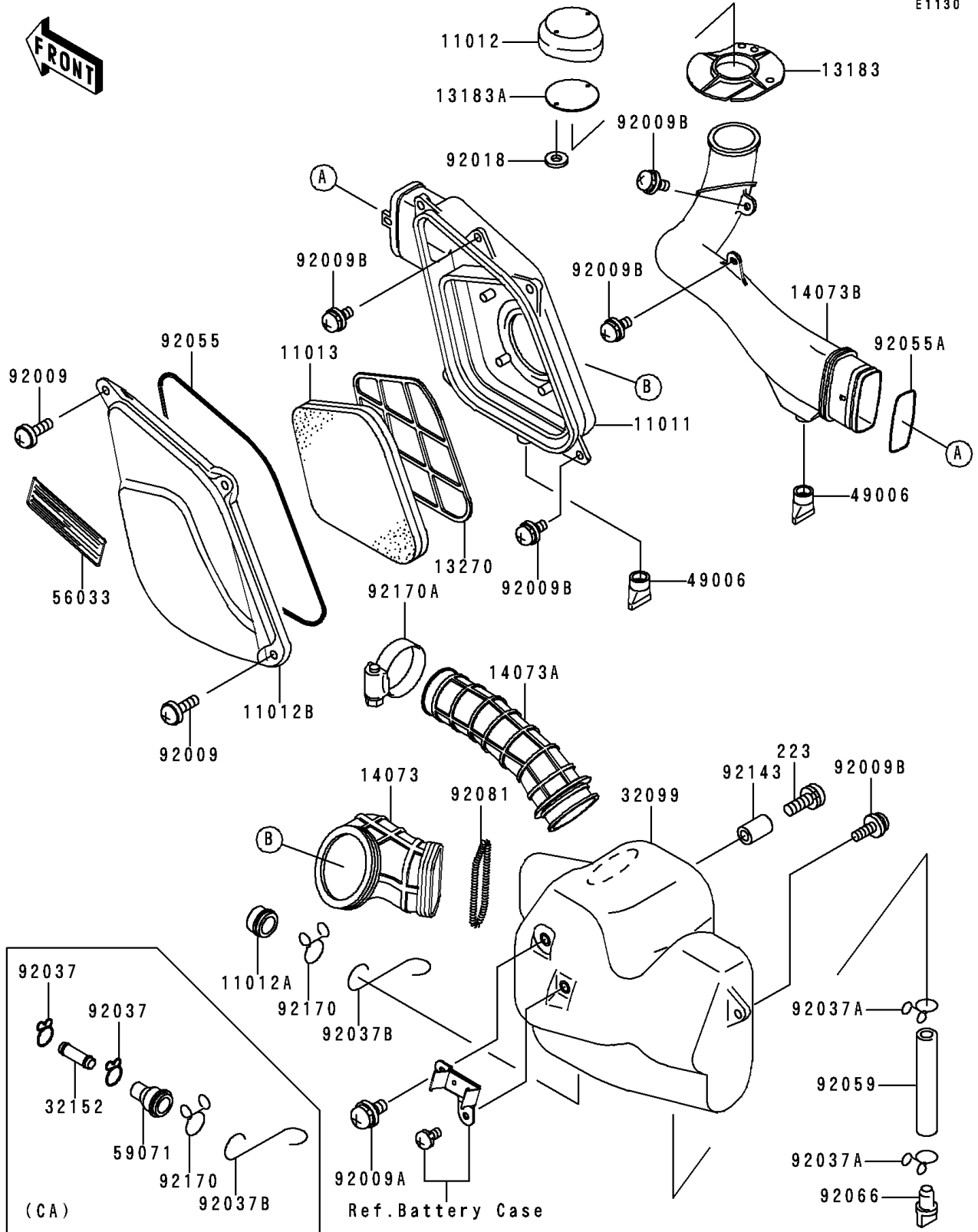


# 1998 Lakota 300 PARTS DIAGRAM

Air Cleaner

E1130



# 1998 Lakota 300 PARTS LIST

## Air Cleaner

ITEM NAME	PART NUMBER	QUANTITY
SCREW-PAN-WS-CROS (Ref # 223)	223C0635	1
CASE-AIR FILTER (Ref # 11011)	11011-1442	1
CAP,SNORKL DUCT (Ref # 11012)	11012-1537	1
CAP,CAR FILTER (Ref # 11012B)	11012-1902	1
ELEMENT-AIR FILTER (Ref # 11013)	11013-1145	1
PLATE,SNORKL DUCT (Ref # 13183)	13183-1019	1
PLATE,SNORKL CAP (Ref # 13183A)	13183-1020	1
PLATE,ELEMENT (Ref # 13270)	13270-1317	1
DUCT,CHAMBER-AIRFILTER (Ref # 14073)	14073-1266	1
DUCT,AIR FILTER (Ref # 14073A)	14073-1611	1
DUCT,SNORKL (Ref # 14073B)	14073-1629	1
CASE,AIR CHAMBER (Ref # 32099)	32099-1155	1
BOOT (Ref # 49006)	49006-1292	2
LABEL-MANUAL,MAINTENANCE (Ref # 56033)	56033-1079	1
SCREW,6X18,BLACK (Ref # 92009)	92009-1181	4
SCREW,6X14 (Ref # 92009A)	92009-1275	1
SCREW,6X16 (Ref # 92009B)	92009-1276	5
NUT,PUSH,3MM (Ref # 92018)	92018-005	2
CLAMP,TUBE (Ref # 92037A)	92037-147	2
CLAMP (Ref # 92037B)	92037-1821	1
RING-O,AIR FILTER CASE (Ref # 92055)	92055-1344	1
RING-O,57.3X3 (Ref # 92055A)	92055-1345	1
TUBE,7X10X100 (Ref # 92059)	92059-1736	1
PLUG,DRAIN (Ref # 92066)	92066-1211	1
SPRING,DUCT (Ref # 92081)	92081-1638	1
COLLAR (Ref # 92143)	92143-1046	1
CLAMP,TUBE (Ref # 92170)	92170-1445	1
CLAMP (Ref # 92170A)	92170-1674	1
CAP,HEAD (Ref # 11012A)	11012-1544	1

# 1998 Lakota 300 PARTS LIST

## Air Cleaner

ITEM NAME	PART NUMBER	QUANTITY
PIPE (Ref # 32152)	32152-1567	1
JOINT (Ref # 59071)	59071-1168	1
CLAMP,FUEL TUBE (Ref # 92037)	92037-1271	2