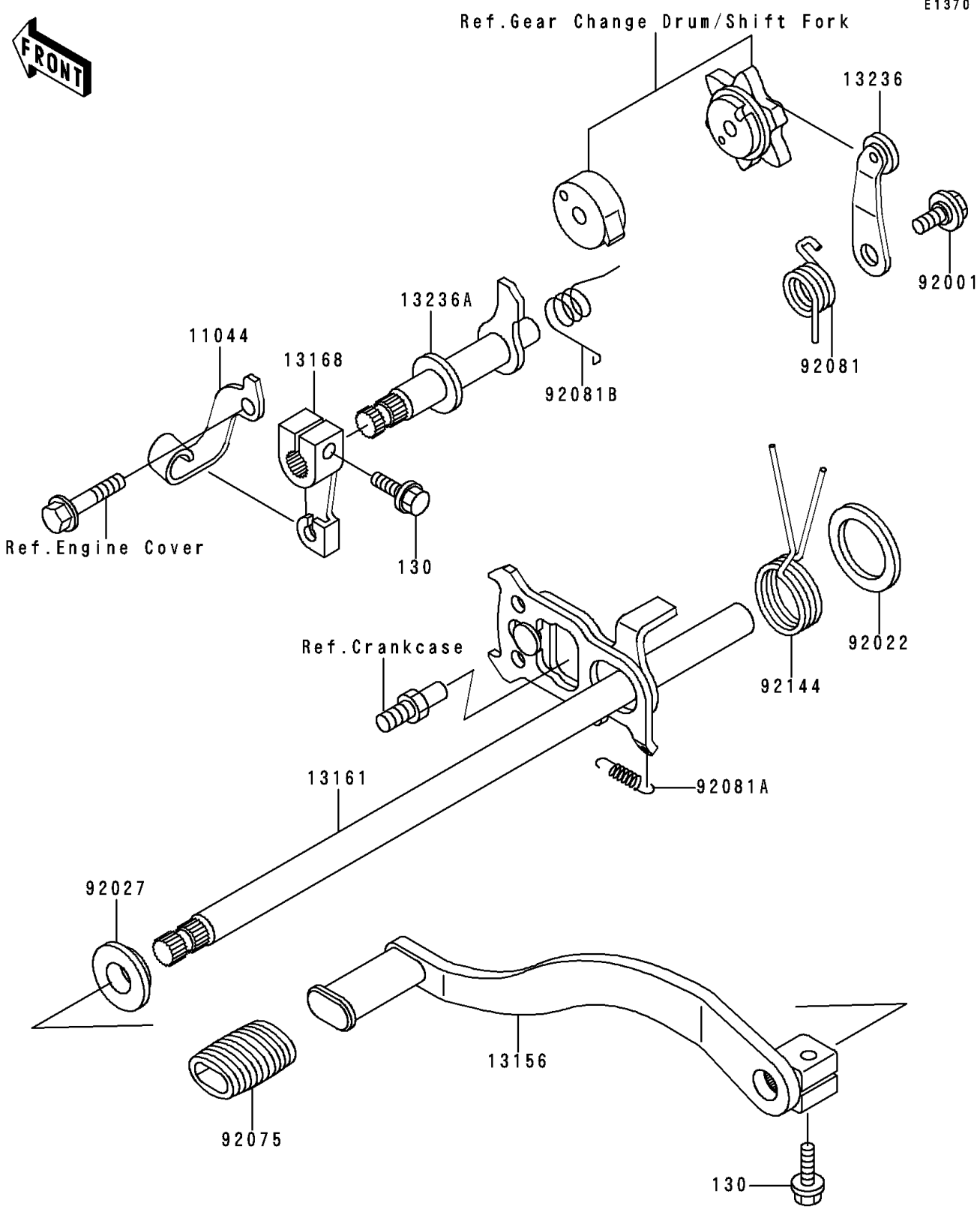


1999 Lakota 300 PARTS DIAGRAM

Gear Change Mechanism

E1370



1999 Lakota 300 PARTS LIST

Gear Change Mechanism

| ITEM NAME | PART NUMBER | QUANTITY |
|---------------------------------------|-------------|----------|
| BOLT-FLANGED,6X20,BLACK (Ref # 130) | 130S0620 | 2 |
| BRACKET,REVERSE CABLE (Ref # 11044) | 11044-1303 | 1 |
| LEVER-CHANGE,PEDAL (Ref # 13156) | 13156-1358 | 1 |
| LEVER-COMP-CHANGE SHAFT (Ref # 13161) | 13161-1196 | 1 |
| LEVER,REVERSE (Ref # 13168) | 13168-1267 | 1 |
| LEVER-COMP,CHANGE DRUM (Ref # 13236) | 13236-1178 | 1 |
| LEVER-COMP,REVERSE (Ref # 13236A) | 13236-1239 | 1 |
| BOLT,GEAR CHANGE LEVER (Ref # 92001) | 92001-1715 | 1 |
| WASHER,25.5X36X1 (Ref # 92022) | 92022-057 | 1 |
| COLLAR,L=5.2 (Ref # 92027) | 92027-1891 | 1 |
| DAMPER,CHANGE PEDAL (Ref # 92075) | 92075-1585 | 1 |
| SPRING (Ref # 92081) | 92081-1496 | 1 |
| SPRING,CHANGE LEVER (Ref # 92081A) | 92081-1753 | 1 |
| SPRING,REVERSE LEVER (Ref # 92081B) | 92081-1850 | 1 |
| SPRING (Ref # 92144) | 92144-1798 | 1 |