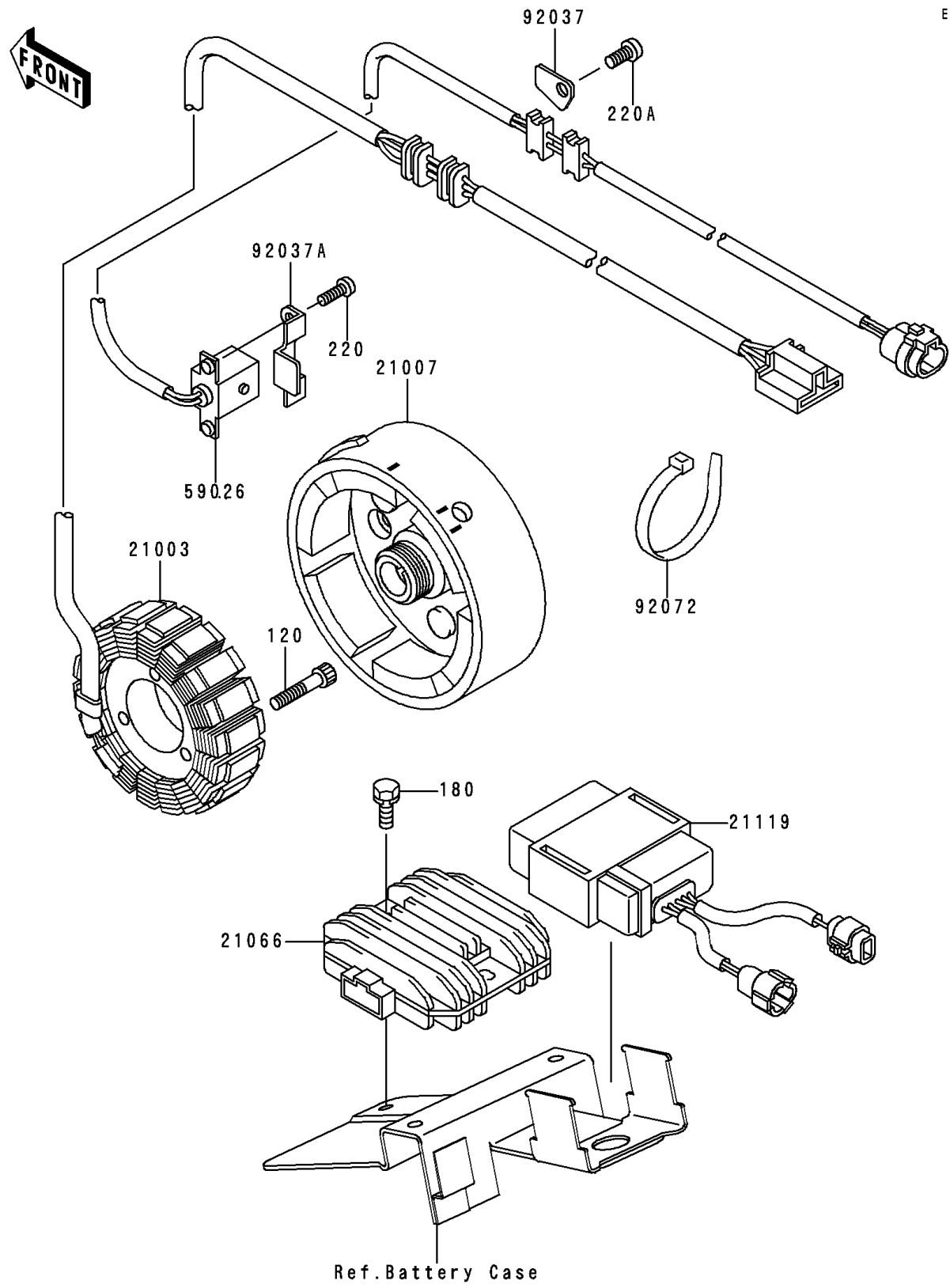


# 1999 Lakota 300 PARTS DIAGRAM

Generator

E1810



# 1999 Lakota 300 PARTS LIST

## Generator

| ITEM NAME                          | PART NUMBER | QUANTITY |
|------------------------------------|-------------|----------|
| BOLT-SOCKET,6X30 (Ref # 120)       | 120P0630    | 3        |
| BOLT-UPSET-WS (Ref # 180)          | 180B0630    | 2        |
| SCREW-PAN-CROS (Ref # 220)         | 220B0514    | 2        |
| SCREW-PAN-CROS,6X12 (Ref # 220A)   | 220B0612    | 1        |
| STATOR (Ref # 21003)               | 21003-1276  | 1        |
| ROTOR (Ref # 21007)                | 21007-1179  | 1        |
| REGULATOR-VOLTAGE (Ref # 21066)    | 21066-1089  | 1        |
| IGNITER (Ref # 21119)              | 21119-1369  | 1        |
| COIL-PULSING (Ref # 59026)         | 59026-1092  | 1        |
| CLAMP,WIRING HARNESS (Ref # 92037) | 92037-1656  | 1        |
| CLAMP (Ref # 92037A)               | 92037-1987  | 1        |
| BAND,L=188 (Ref # 92072)           | 92072-1239  | 1        |