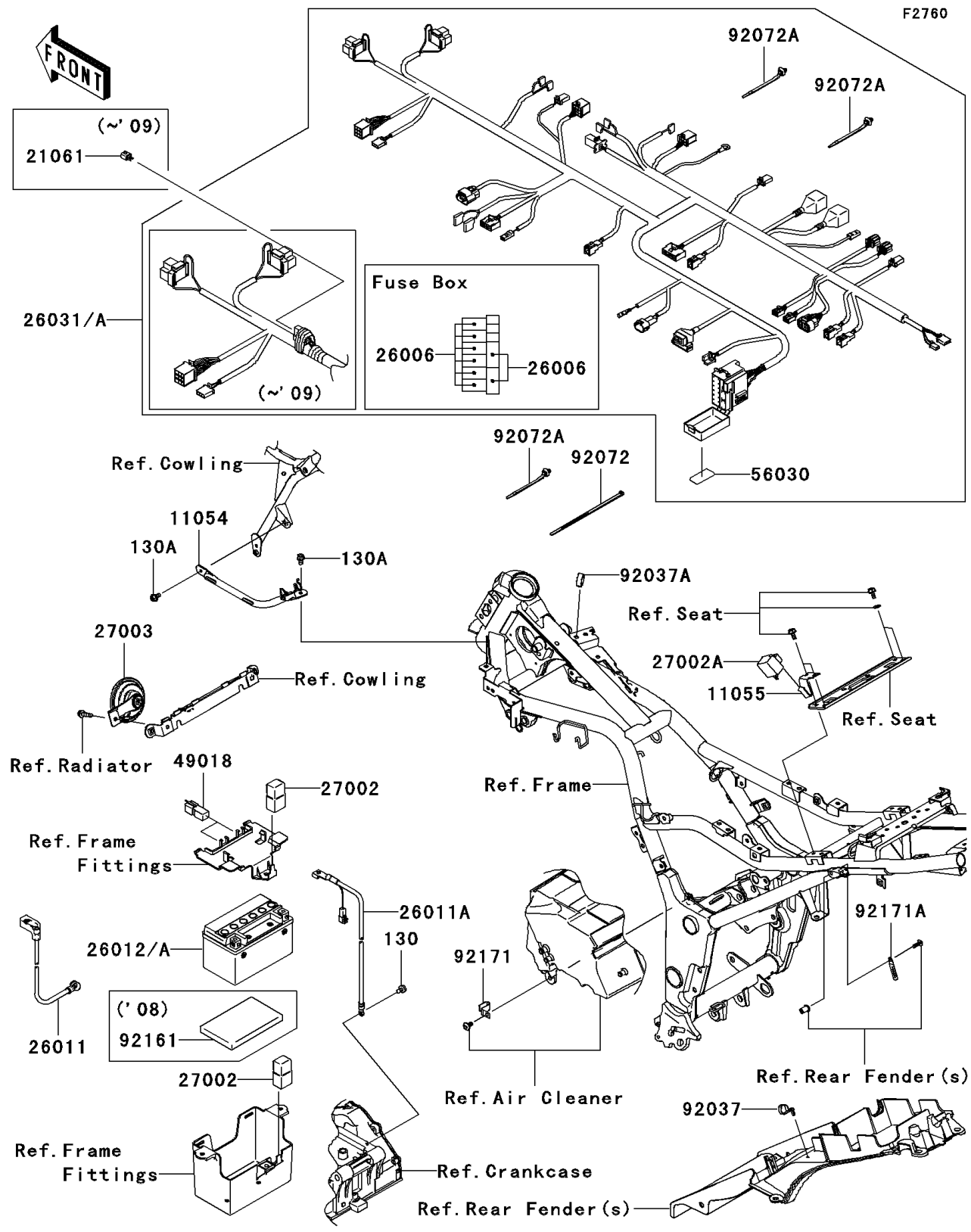


2009 Ninja® 250R PARTS DIAGRAM

Chassis Electrical Equipment



2009 Ninja® 250R PARTS LIST

Chassis Electrical Equipment

ITEM NAME	PART NUMBER	QUANTITY
BOLT-FLANGED,6X10 (Ref # 130)	130BB0610	1
BOLT-FLANGED,6X12 (Ref # 130A)	130BB0612	2
BRACKET,HARNESS (Ref # 11054)	11054-1754	1
BRACKET,RELAY (Ref # 11055)	11055-0844	1
RECTIFIER (Ref # 21061)	21061-1003	1
FUSE,10A (Ref # 26006)	26006-1078	8
WIRE-LEAD,BATTERY(+) (Ref # 26011)	26011-0151	1
WIRE-LEAD,BATTERY(-) (Ref # 26011A)	26011-0152	1
BATTERY,YTX9-BS,12V 8AH (Ref # 26012)	26012-0088	1
HARNESS,MAIN (Ref # 26031)	26031-0717	1
RELAY-ASSY (Ref # 27002)	27002-1086	2
RELAY-ASSY (Ref # 27002A)	27002-1091	1
HORN (Ref # 27003)	27003-0058	1
DIODE (Ref # 49018)	49018-1052	2
LABEL,FUSE BOX (Ref # 56030)	56030-0147	1
CLAMP,SPEED,L=58 (Ref # 92037)	92037-1163	1
CLAMP,HOSE (Ref # 92037A)	92037-1827	1
BAND,L=202 (Ref # 92072)	92072-1195	1
BAND (Ref # 92072A)	92072-1414	10
CLAMP (Ref # 92171)	92171-0305	1
CLAMP (Ref # 92171A)	92171-0389	1