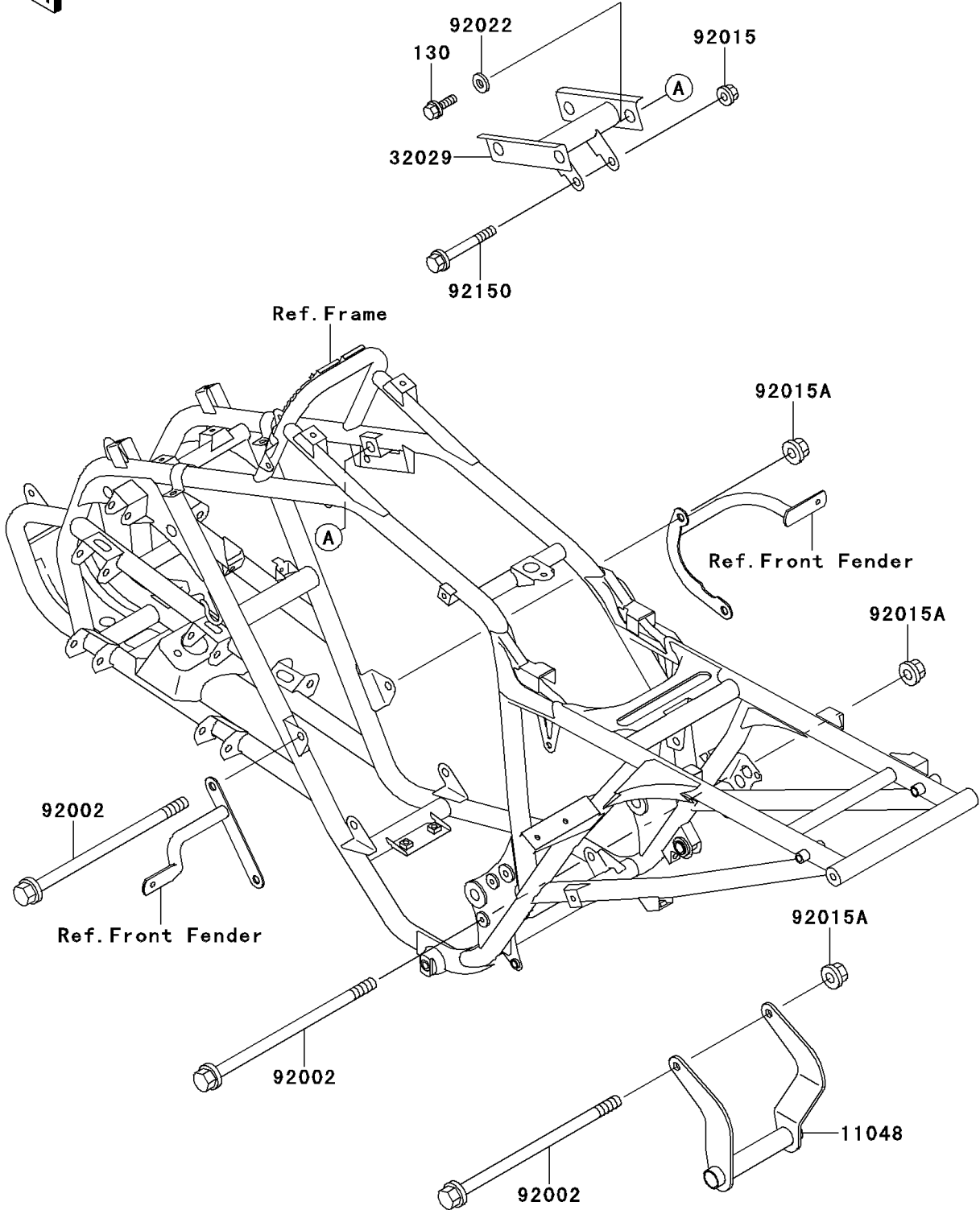


# 2000 Lakota 300 PARTS DIAGRAM

Frame Fittings

F2131



## 2000 Lakota 300 PARTS LIST

### Frame Fittings

| ITEM NAME                                    | PART NUMBER   | QUANTITY |
|--|---------------|----------|
| BOLT-FLANGED,8X14 (Ref # 130)                | 130G0814      | 4        |
| BRACKET,ENGINE,RR,SILVER NO.40 (Ref # 11048) | 11048-1770-5A | 1        |
| BRACKET-ENGINE,FR,TOP,BLACK (Ref # 32029)    | 32029-1933-10 | 1        |
| BOLT,10X185 (Ref # 92002)                    | 92002-1346    | 4        |
| NUT,LOCK,FLANGED,8MM (Ref # 92015)           | 92015-1397    | 1        |
| NUT,FLANGED,10MM (Ref # 92015A)              | 92015-1415    | 4        |
| WASHER,8.5X20X1.6 (Ref # 92022)              | 92022-1561    | 4        |
| BOLT,FLANGED,8X65 (Ref # 92150)              | 92150-1035    | 1        |