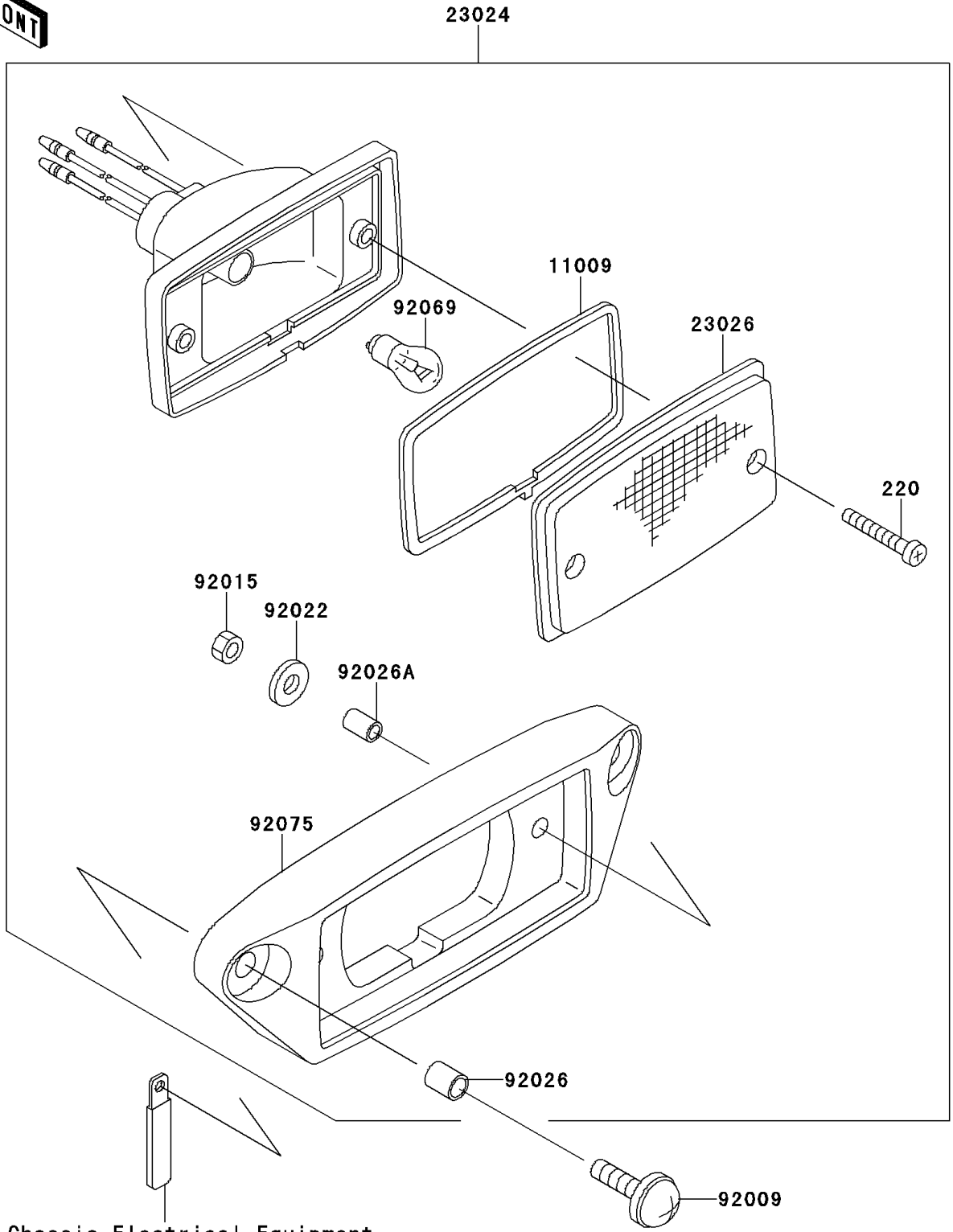


# 2000 Lakota 300 PARTS DIAGRAM

Taillight(s)

F2720



## 2000 Lakota 300 PARTS LIST

### Taillight(s)

ITEM NAME	PART NUMBER	QUANTITY
SCREW-PAN-CROS (Ref # 220)	220C0430	2
GASKET,TAIL LAMP (Ref # 11009)	11009-4004	1
LAMP-ASSY-TAIL (Ref # 23024)	23024-1122	1
LENS,TAIL LAMP (Ref # 23026)	23026-4003	1
SCREW,6X22,BLACK (Ref # 92009)	92009-1256	2
NUT,4MM (Ref # 92015)	92015-1550	2
WASHER,PLAIN,4MM (Ref # 92022)	92022-1762	2
SPACER,6.3X8.3X10 (Ref # 92026)	92026-1260	2
SPACER,4.5X6.5X10 (Ref # 92026A)	92026-1261	2
BULB,12V 27/8W (Ref # 92069)	92069-059	1
DAMPER,TAIL LAMP (Ref # 92075)	92075-1782	1