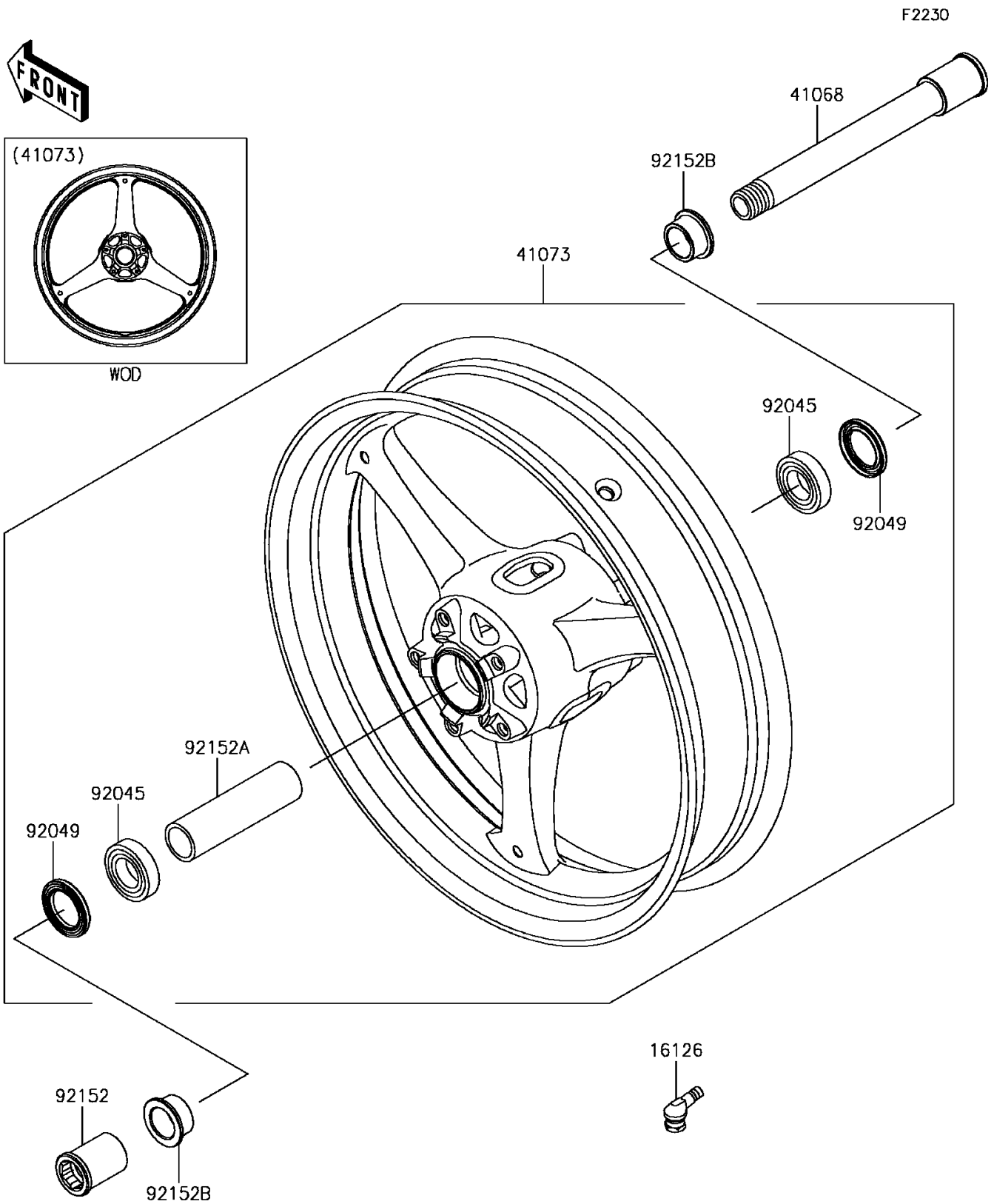


# 2017 NINJA® ZX™-10R PARTS DIAGRAM

Front Wheel



## 2017 NINJA® ZX™-10R PARTS LIST

### Front Wheel

| ITEM NAME                              | PART NUMBER    | QUANTITY |
|--|----------------|----------|
| VALVE (Ref # 16126)                    | 16126-0735     | 1        |
| AXLE,FR,25X205 (Ref # 41068)           | 41068-0594     | 1        |
| WHEEL-ASSY,FR,G.BLACK (Ref # 41073)    | 41073-0677-18F | 1        |
| BEARING-BALL,25X47X12 (Ref # 92045)    | 92045-0803     | 2        |
| SEAL-OIL,BJN-C2 32X47X5 (Ref # 92049)  | 92049-0050     | 2        |
| COLLAR,FR AXLE,LH,L=44.5 (Ref # 92152) | 92152-0240     | 1        |
| COLLAR,FR HUB,L=115 (Ref # 92152A)     | 92152-0616     | 1        |
| COLLAR,25X40X18 (Ref # 92152B)         | 92152-1947     | 2        |