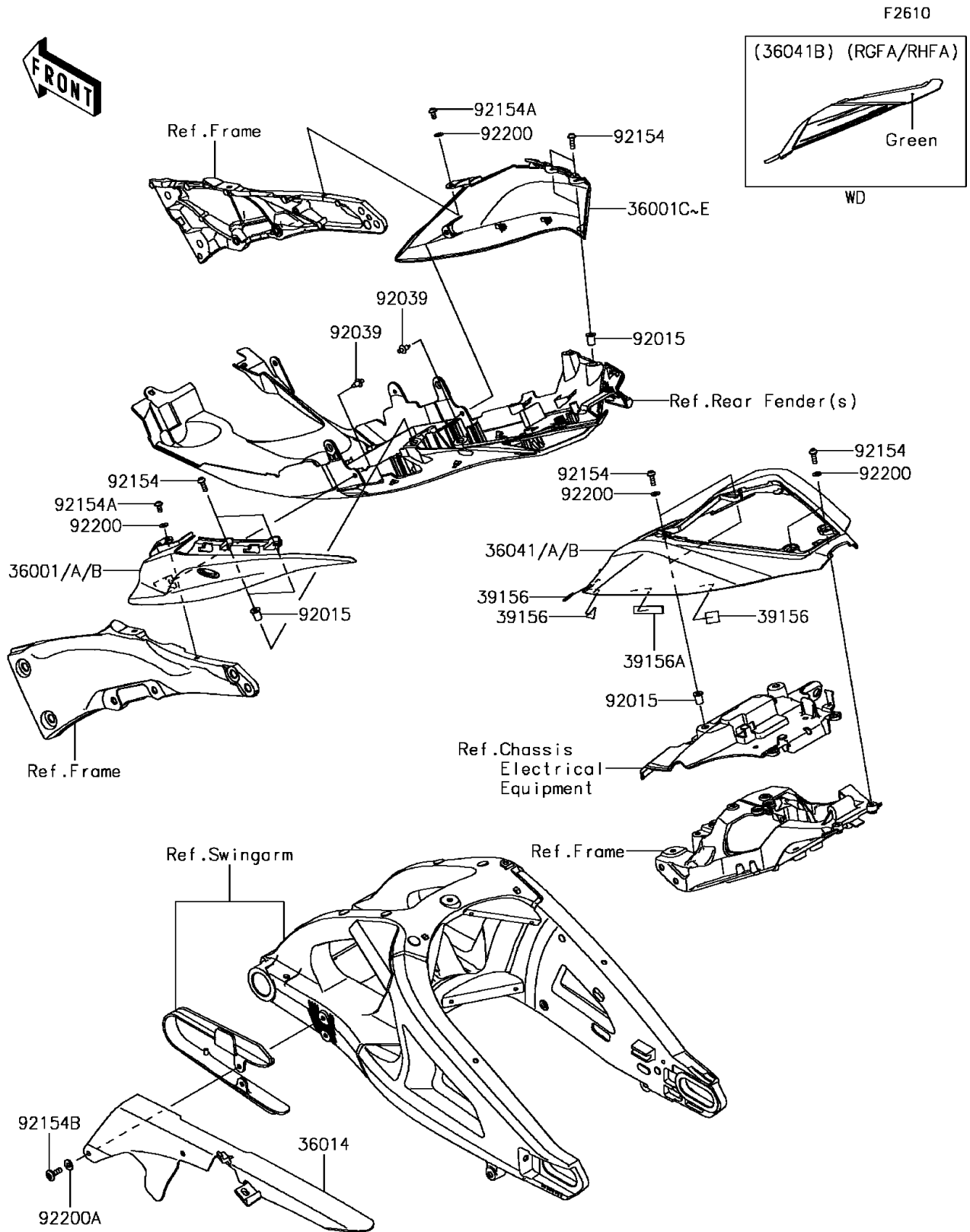


# 2017 NINJA® ZX™-10R PARTS DIAGRAM

## Side Covers/Chain Cover



## 2017 NINJA® ZX™-10R PARTS LIST

### Side Covers/Chain Cover

ITEM NAME	PART NUMBER	QUANTITY
COVER-SIDE,TAIL,LH,M.F.R.TITAN (Ref # 36001A)	36001-0640-725	1
COVER-SIDE,TAIL,RH,M.F.R.TITAN (Ref # 36001D)	36001-0641-725	1
CASE-CHAIN (Ref # 36014)	36014-0062	1
COVER-TAIL,P.B.WHITE (Ref # 36041A)	36041-0024-54X	1
PAD,15X20X0.2 (Ref # 39156)	39156-1784	6
PAD,10X50X2 (Ref # 39156A)	39156-1924	2
NUT,WELL,5MM (Ref # 92015)	92015-1757	6
RIVET (Ref # 92039)	92039-0068	2
BOLT,SOCKET,5X16 (Ref # 92154)	92154-0209	8
BOLT,SOCKET,5X10 (Ref # 92154A)	92154-0211	2
BOLT,SOCKET,6X18 (Ref # 92154B)	92154-1694	1
WASHER,NYLON,5.3X11.5X0.5 (Ref # 92200)	92200-0006	6
WASHER,6.2X15X1.2 (Ref # 92200A)	92200-1762	1